

Atlantic Emergency Light

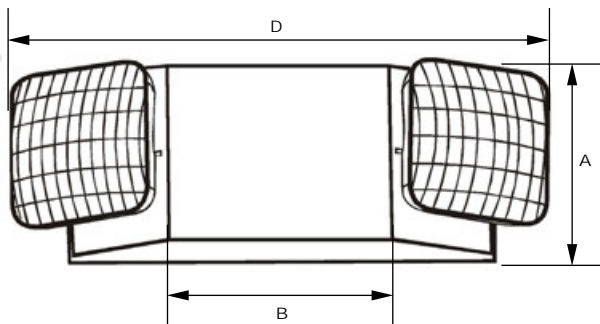
AI EEM1

Atlantic
INDUSTRIAL®
A QSSI Company Since 1985



Dimensions:

Rear Length (D): 16" (406mm)
Front Length (B): 4³/₄" (121mm)
Height (A): 5" (127mm)



Illumination:

- Twin Adjustable Light Heads

Electrical:

- Automatic Low Voltage Disconnect
- Fully Automatic Operation
- Push to Test Switch
- 120-277V
- Battery Backup
- Ninety Minute Battery Life, 6V Battery

Mounting:

- Universal Mounting Plate with E-Z Quick Connect Design

Housing:

- Thermoplastic Injection Molded Housing

Listing:

- UL Listed



www.atlanticind.net

Rev. 072117

12802 COMMODITY PLACE • TAMPA, FL 33626

ORDER TODAY

PHONE 813-664-9700
EMAIL SALES@ATLANTICIND.NET
FAX 813-664-9704