

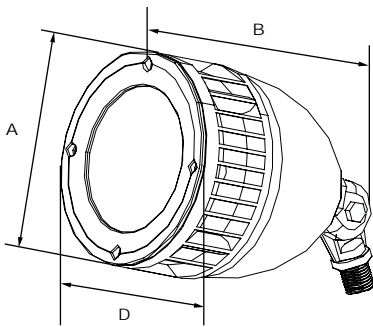
Atlantic 2Gen LED Bullet

AI FB1BC31X20U41KZ

Atlantic
INDUSTRIAL®
A QSSI Company Since 1985



Delivered Lumens: **1,799**
Watts: **20w**
Lumens Per Watt: **90**
CCT: **4100K**
CRI: **80**
Replaces up to 100w HID



Dimensions:

Width (D): **6¼" (168mm)**
Length (B): **9¼" (235mm)**
Height (A): **5¾" (146mm)**

5-Year
Warranty



Atlantic LED COB:

- High performance COB with excellent lumen output
- Excellent color rendition
- Thermally managed for longevity
- Specially designed reflector for precise light control
- 4100K CCT delivers a natural white light
- Estimated 88,000 hours of maintenance-free operation (L70)

Driver:

- 120-277V, 50/60 Hz electronic driver
- 0-10V, 10-100% dimming capable for additional energy savings

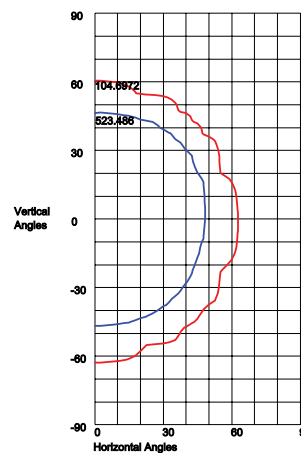
Housing:

- Heavy-duty professional grade housing with a durable, corrosion and weather-resistant powdercoat finish
- Manufactured from 100% pure aluminum
- Housing is sealed against moisture, dust and environmental contaminants
- Integral heat sinking for thermal management.

Features:

- Easily replaces traditional metal halide fixtures while maintaining jobsite appearance
- High-efficiency, long-lasting COB minimizes maintenance costs
- 5 Year warranty

Photometric Data:



AI FB1BC31X20U41KZ
100°H x 95°V, NEMA 6H x 6V

www.atlanticind.net

Rev. 072117

12802 COMMODITY PLACE • TAMPA, FL 33626

ORDER TODAY

PHONE 813-664-9700
EMAIL SALES@ATLANTICIND.NET
FAX 813-664-9704