

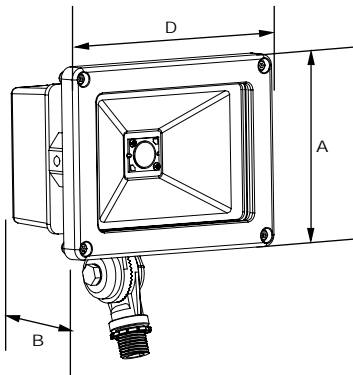
Atlantic Small LED Flood Light

AI FL20L1X18U5KZK

Atlantic
INDUSTRIAL®
A QSSI Company Since 1985



Delivered Lumens: **2,324**
Watts: **21w**
Lumens Per Watt: **111**
CCT: **5000K**
CRI: **80**
Replaces up to **70w HID**



Dimensions:

Width (D): **6³/₄" (172mm)**
Length (B): **4³/₈" (113mm)**
Height (A): **5¹/₄" (133mm)**



**5-Year
Warranty**



Atlantic LED COB:

- High performance COB with excellent lumen output
- Excellent color rendition
- Thermally managed for longevity
- Specially designed reflector for precise light control
- 5000K CCT delivers a natural white light
- Estimated 128,000 hours of maintenance-free operation (L70)

Driver:

- 120-277V, 50/60 Hz electronic driver

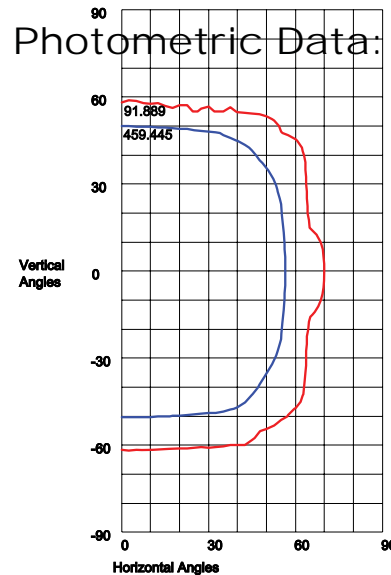
Housing:

- Heavy-duty professional grade housing with a durable, corrosion and weather-resistant powdercoat finish
- Manufactured from 100% pure aluminum
- Housing is sealed against moisture, dust and environmental contaminants
- 1/2" threaded heavy-duty knuckle with 180° of adjustment

Features:

- Easily replaces traditional metal halide fixtures while maintaining jobsite appearance
- High-efficiency, long-lasting LED array minimizes maintenance costs
- 5 Year warranty

Photometric Data:



Maximum Candela = 918,89 Located At Horizontal Angle = -1, Vertical Angle = 0
50% Maximum Candela = 459,445
10% Maximum Candela = 91,889

AI FL20L1X18U5K
115"H x 100"V, NEMA 7H x 6V

www.atlanticind.net

Rev. 072117

12802 COMMODITY PLACE • TAMPA, FL 33626

ORDER TODAY

PHONE 813-664-9700
EMAIL SALES@ATLANTICIND.NET
FAX 813-664-9704