

# Atlantic PAR Holders

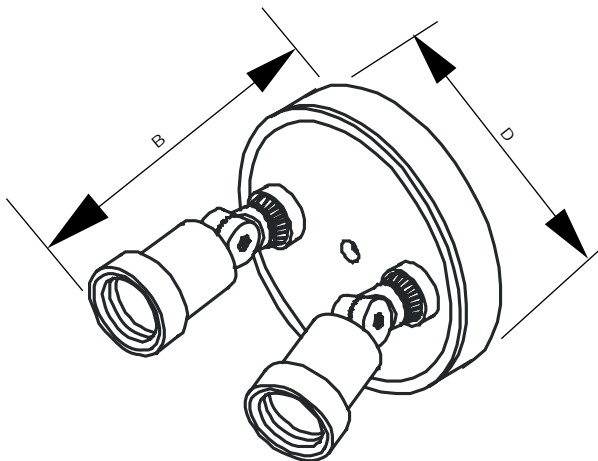
AI PH15NM

**Atlantic**  
INDUSTRIAL®  
A QSSI Company Since 1985



## Dimensions:

Diameter:  
(D): 5¼" (133mm)  
Width:  
(B): 4¼" (108mm)



### Housing:

White Polycarbonate Housing & Lampholders with Adjustable Knuckles

### Socket:

Porcelain 4KV Pulse Rated Medium Base Socket

### Mounting:

Includes Oversized Backplate, Gasket & Screws

### Wattage:

Incandescent: 2 x 150w

### Listing & Ratings:

CSA: Listed for Wet Locations

[www.atlanticind.net](http://www.atlanticind.net)

Rev. 072117

12802 COMMODITY PLACE • TAMPA, FL 33626

**ORDER TODAY**

PHONE 813-664-9700  
EMAIL SALES@ATLANTICIND.NET  
FAX 813-664-9704