

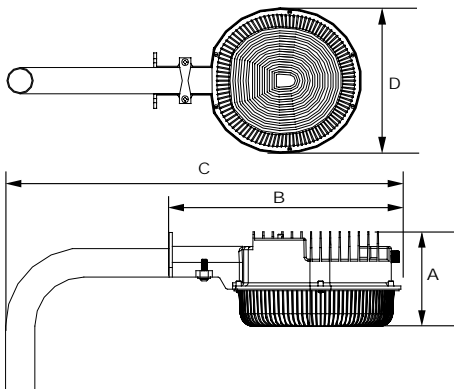
Atlantic LED Dusk-To-Dawn Utility Light

AI SC25C31X40U41KGA12

Atlantic
INDUSTRIAL®
A QSSI Company Since 1985



Delivered Lumens: **3,872**
Watts: **42w**
Lumens Per Watt: **92**
CCT: **4100K**
CRI: **80**
Replaces up to 175w HID



Dimensions:

Width (D): **10" (255mm)**
Length (B): **14³/₈" (364mm)**
Length with Arm (C): **24¹/₂" (621mm)**
Height (A): **5⁷/₈" (148mm)**



LED lighting facts
LED Product Partner

5-Year Warranty



Atlantic LED COB:

- High performance COB with excellent lumen output
- Excellent color rendition
- Thermally managed for longevity
- Specially designed reflector for precise light control
- 4100K CCT delivers a natural white light
- Estimated 88,000 hours of maintenance-free operation (L70)

Driver:

- 120-277V, 50/60 Hz electronic driver
- 0-10V, 10-100% dimming capable for additional energy savings

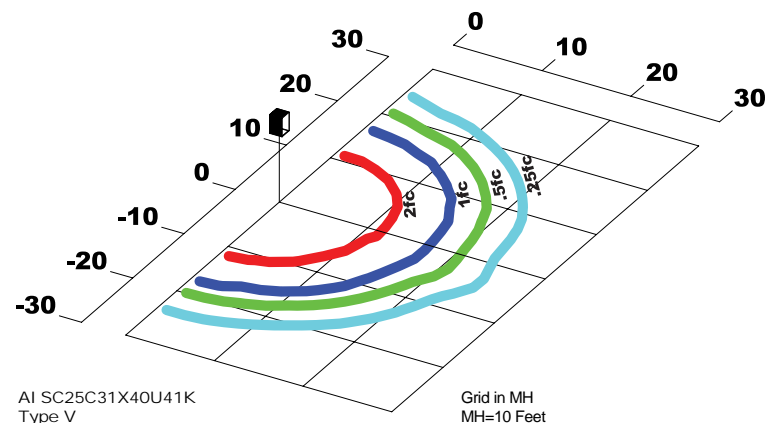
Housing:

- Heavy-duty professional grade housing with a durable, corrosion and weather-resistant powdercoat finish
- Manufactured from 100% pure aluminum
- Dusk-to-Dawn automatic photocell included
- Housing is sealed against moisture, dust and environmental contaminants
- Integral heat sinking for thermal management.

Features:

- Easily replaces traditional metal halide fixtures while maintaining jobsite appearance
- High-efficiency, long-lasting COB minimizes maintenance costs
- 5 Year warranty

Photometric Data:



www.atlanticind.net

Rev. 072117

12802 COMMODITY PLACE • TAMPA, FL 33626

ORDER TODAY

PHONE 813-664-9700
EMAIL SALES@ATLANTICIND.NET
FAX 813-664-9704