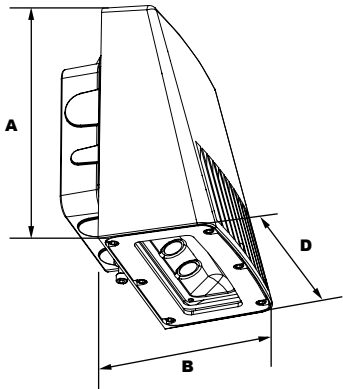


Atlantic Small 2Gen LED Slimline Wall Pack AI TV2C32X10U41KZ

Atlantic
INDUSTRIAL®
A QSSI Company Since 1985



Delivered Lumens: **2,300**
Watts: **21w**
Lumens Per Watt: **110**
CCT: **4100K**
CRI: **80**
Replaces up to 100w HID



Dimensions:

Width (D): **6⁵/₈" (168mm)**
Length (B): **4¹/₂" (114mm)**
Height (A): **7⁷/₈" (200mm)**



**5-Year
Warranty**



Atlantic LED COB:

- High performance COB with excellent lumen output
- Excellent color rendition
- Thermally managed for longevity
- Specially designed reflector for precise light control
- 4100K CCT delivers a natural white light
- Estimated 84,000 hours of maintenance-free operation (L70)

Driver:

- 120-277V, 50/60 Hz electronic driver
- 0-10V, 10-100% dimming capable for additional energy savings

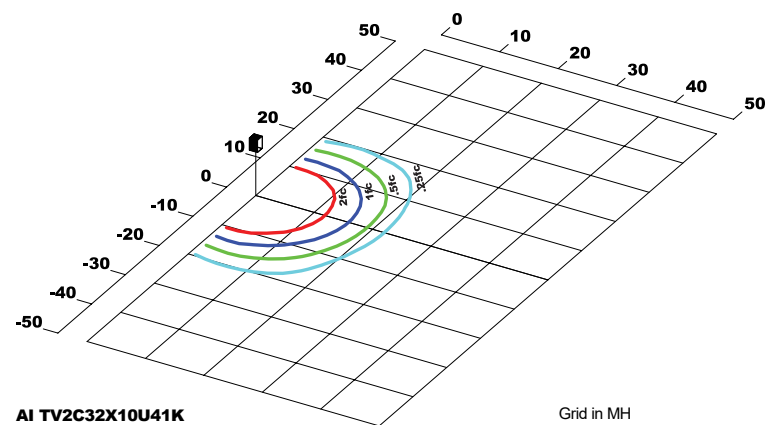
Housing:

- Heavy-duty professional grade housing with a durable, corrosion and weather-resistant powdercoat finish
- Manufactured from 100% pure aluminum
- Gasketed coin plugs for easy installation of photocontrols or conduit
- Housing is sealed against moisture, dust and environmental contaminants
- Integral heat sinking for thermal management

Features:

- Easily replaces traditional metal halide fixtures while maintaining jobsite appearance
- High-efficiency, long-lasting COB minimizes maintenance costs
- 5 year warranty

Photometric Data:



www.atlanticind.net

Rev. 051718

12802 COMMODITY PLACE • TAMPA, FL 33626

ORDER TODAY

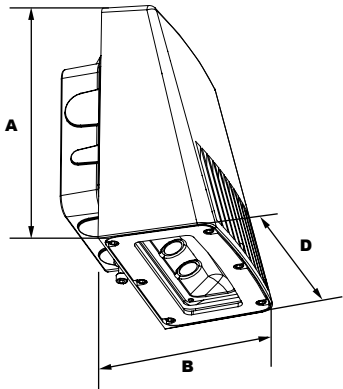
PHONE 813-664-9700
EMAIL SALES@ATLANTICIND.NET
FAX 813-664-9704

Atlantic Small 2Gen LED Slimline Wall Pack AI TV2C32X20U41KZ

Atlantic
INDUSTRIAL®
A QSSI Company Since 1985



Delivered Lumens: **4,025**
Watts: **43w**
Lumens Per Watt: **94**
CCT: **4100K**
CRI: **80**
Replaces up to 175w HID



Dimensions:

Width (D): $6\frac{5}{8}$ " (168mm)
Length (B): $4\frac{1}{2}$ " (114mm)
Height (A): $7\frac{7}{8}$ " (200mm)



**5-Year
Warranty**



Atlantic LED COB:

- High performance COB with excellent lumen output
- Excellent color rendition
- Thermally managed for longevity
- Specially designed reflector for precise light control
- 4100K CCT delivers a natural white light
- Estimated 76,000 hours of maintenance-free operation (L70)

Driver:

- 120-277V, 50/60 Hz electronic driver
- 0-10V, 10-100% dimming capable for additional energy savings

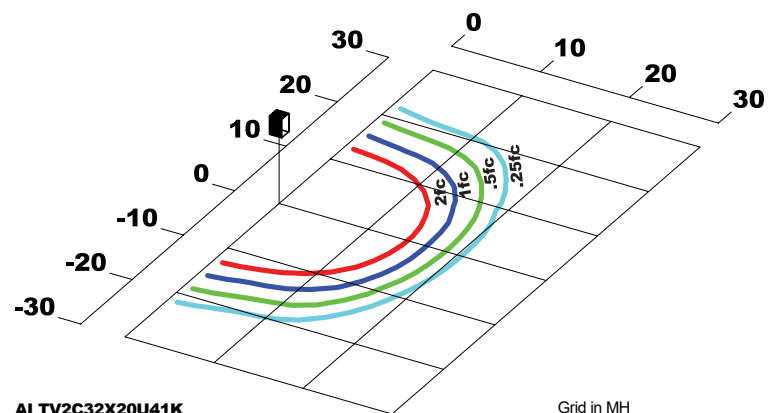
Housing:

- Heavy-duty professional grade housing with a durable, corrosion and weather-resistant powdercoat finish
- Manufactured from 100% pure aluminum
- Gasketed coin plugs for easy installation of photocontrols or conduit
- Housing is sealed against moisture, dust and environmental contaminants
- Integral heat sinking for thermal management

Features:

- Easily replaces traditional metal halide fixtures while maintaining jobsite appearance
- High-efficiency, long-lasting COB minimizes maintenance costs
- 5 year warranty

Photometric Data:



AI TV2C32X20U41K
Type II

Grid in MH
MH=10 Feet

www.atlanticind.net

Rev. 051718

12802 COMMODITY PLACE • TAMPA, FL 33626

ORDER TODAY

PHONE 813-664-9700
EMAIL SALES@ATLANTICIND.NET
FAX 813-664-9704