

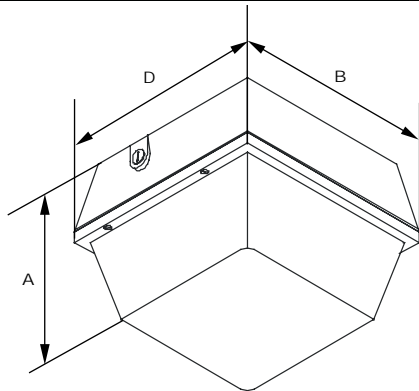
# Atlantic Large LED Canopy

AI VN40QF1X45U5KSZ

**Atlantic**  
INDUSTRIAL®  
A QSSI Company Since 1985



Delivered Lumens: **6,267**  
Watts: **53w**  
Lumens Per Watt: **118**  
CCT: **5000K**  
CRI: **80**  
Replaces up to 175w HID



## Dimensions:

Width (D): **12<sup>3</sup>/<sub>8</sub>" (314mm)**  
Length (B): **12<sup>3</sup>/<sub>8</sub>" (314mm)**  
Height (A): **8<sup>5</sup>/<sub>8</sub>" (219mm)**



**5-Year  
Warranty**



## Atlantic LED Array:

- High performance arrays with excellent lumen output
- Engineered aluminum boards provide superior thermal management for enhanced LED light output and lifespan
- Custom designed for each fixture for maximum optical performance
- 5000K CCT delivers a natural white light
- Estimated 177,000 hours of maintenance-free operation (L70)

## Driver:

- 120-277V, 50/60 Hz electronic driver
- 0-10V, 10-100% dimming capable for additional energy savings

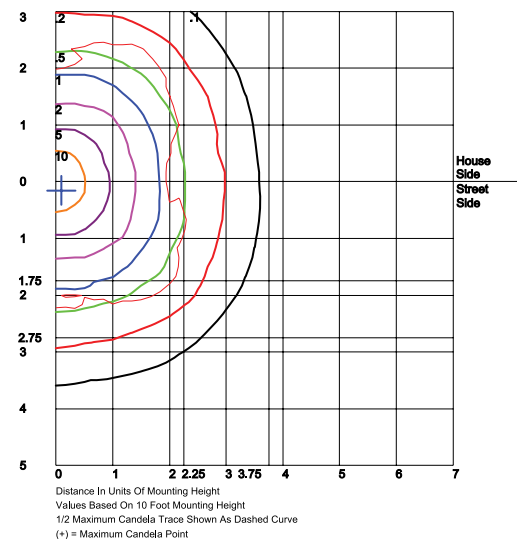
## Housing:

- Heavy-duty professional grade housing with a durable, corrosion and weather-resistant powdercoat finish
- Manufactured from 100% pure aluminum
- Gasketed coin plugs for easy installation of photocontrols or conduit
- Housing is sealed against moisture, dust and environmental contaminants

## Features:

- Easily replaces traditional metal halide fixtures while maintaining jobsite appearance
- High-efficiency, long-lasting LED array minimizes maintenance costs
- 5 Year warranty

## Photometric Data:



AI VN40QF1X45U5KS  
Type V

Grid in MH  
MH=10 Feet

[www.atlanticind.net](http://www.atlanticind.net)

Rev. 072117

12802 COMMODITY PLACE • TAMPA, FL 33626

**ORDER TODAY**

PHONE 813-664-9700  
EMAIL SALES@ATLANTICIND.NET  
FAX 813-664-9704