

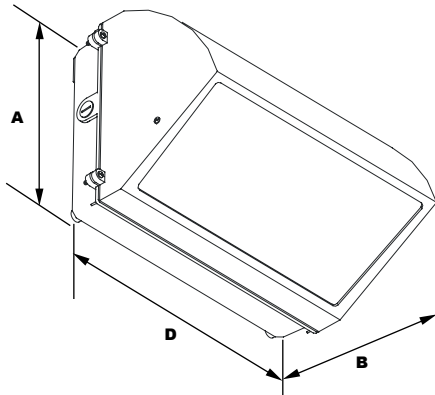
Medium Hooded Semi Cutoff LED Wall Pack

AI WH15QF1X37U5KCZ

Atlantic
INDUSTRIAL®
A QSSI Company Since 1985



Delivered Lumens: **4,961**
Watts: **44w**
Lumens Per Watt: **113**
CCT: **5000K**
CRI: **80**
Replaces up to 250w HID



Dimensions:

Width (D): **14 1/4" (362mm)**
Length (B): **9" (229mm)**
Height (A): **9" (229mm)**



5-Year Warranty



Atlantic LED Array:

- High performance arrays with excellent lumen output
- Engineered aluminum boards provide superior thermal management for enhanced LED light output and lifespan
- Custom designed for each fixture for maximum optical performance
- 5000K CCT delivers a natural white light
- Estimated 213,000 hours of maintenance-free operation (L70)

Driver:

- 120-277V, 50/60 Hz electronic driver
- 0-10V, 10-100% dimming capable for additional energy savings

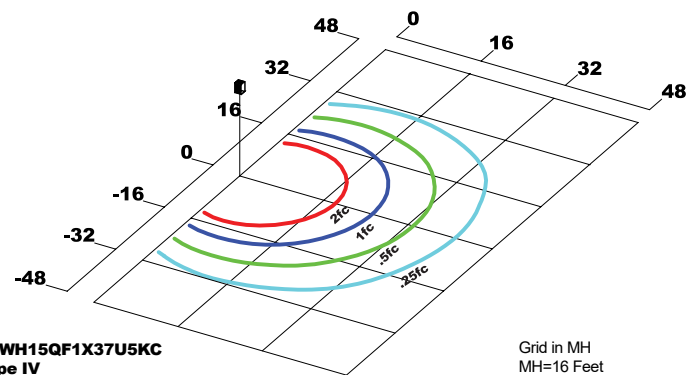
Housing:

- Heavy-duty professional grade housing with a durable, corrosion and weather-resistant powdercoat finish
- Manufactured from 100% pure aluminum
- Gasketed coin plugs for easy installation of photocontrols or conduit
- Housing is sealed against moisture, dust and environmental contaminants

Features:

- Easily replaces traditional metal halide fixtures while maintaining jobsite appearance
- High-efficiency, long-lasting LED array minimizes maintenance costs
- 5 year warranty

Photometric Data:



www.atlanticind.net

Rev. 051718

12802 COMMODITY PLACE • TAMPA, FL 33626

ORDER TODAY

PHONE 813-664-9700
EMAIL SALES@ATLANTICIND.NET
FAX 813-664-9704