

Atlantic Portable Work Light

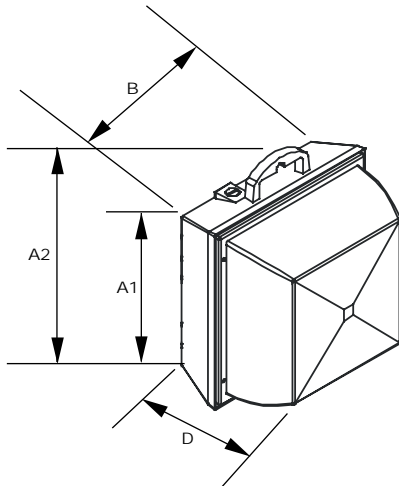
AI WL40F84EL

Atlantic
INDUSTRIAL®
A QSSI Company Since 1985



Dimensions:

Width:
(D): 9" (229mm)
Length:
(B): 12³/₈" (314mm)
Height:
(A1): 12³/₈" (314mm) (A2): 14³/₈" (365mm)



Housing:

- Die Cast Housing with Chromate Conversion Coating.
- Handle Included
- Magnet on Back
- Feet for Bottom
- Cord Set with Molded Three-Prong Plug, & Liquid-Tight Connector

Reflector:

- White Powdercoat Steel

Lens:

- Clear Prismatic Polycarbonate Lens

Socket:

- PL: Plug-in Type, GX24Q-4

Mounting:

- Attached Handle Allows Hanging on Hook, Magnet Allows Attaching to Steel Surfaces, or Stands with Attached Feet on Floor

Wattage:

Compact Fluorescent: 2 x 42w

Listing & Ratings:

CSA: Listed for Dry Locations

www.atlanticind.net

Rev. 072117

12802 COMMODITY PLACE • TAMPA, FL 33626

ORDER TODAY

PHONE 813-664-9700
EMAIL SALES@ATLANTICIND.NET
FAX 813-664-9704