

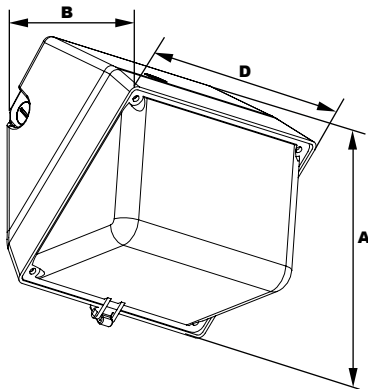
Atlantic Small LED Wall Pack with PC Lens

AI WP10QF1X23U5KZ

Atlantic
INDUSTRIAL®
A QSSI Company Since 1985



Delivered Lumens: **2,578**
Watts: **28w**
Lumens Per Watt: **92**
CCT: **5000K**
CRI: **80**
Replaces up to 100w HID



Dimensions:

Width (D): 8½" (216mm)
Length (B): 7" (178mm)
Height (A): 9½" (241mm)

 **5-Year
Warranty**



Atlantic LED Array:

- High performance arrays with excellent lumen output
- Engineered aluminum boards provide superior thermal management for enhanced LED light output and lifespan
- Custom designed for each fixture for maximum optical performance
- 5000K CCT delivers a natural white light
- Estimated 182,000 hours of maintenance-free operation (L70)

Driver:

- 120-277V, 50/60 Hz electronic driver
- 0-10V, 10-100% dimming capable for additional energy savings

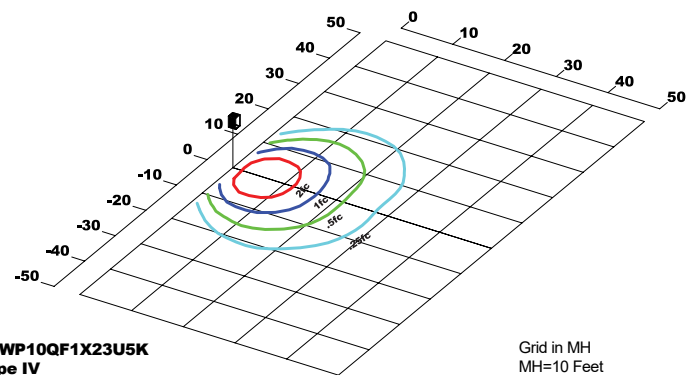
Housing:

- Heavy-duty professional grade housing with a durable, corrosion and weather-resistant powdercoat finish
- Manufactured from 100% pure aluminum
- Gasketed coin plugs for easy installation of photocontrols or conduit
- Housing is sealed against moisture, dust and environmental contaminants

Features:

- Easily replaces traditional metal halide fixtures while maintaining jobsite appearance
- High-efficiency, long-lasting LED array minimizes maintenance costs
- 5 year warranty

Photometric Data:



www.atlanticind.net

Rev. 051718

12802 COMMODITY PLACE • TAMPA, FL 33626

ORDER TODAY

PHONE 813-664-9700
EMAIL SALES@ATLANTICIND.NET
FAX 813-664-9704