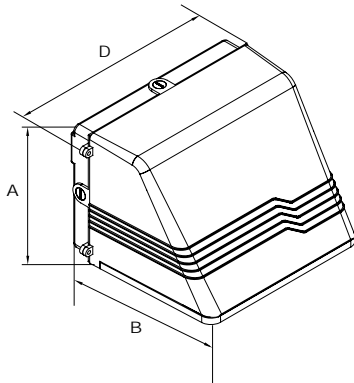


Atlantic Medium Full Cutoff LED Wall Pack AI WPC15QF1X37U5KCZ

Atlantic
INDUSTRIAL®
A QSSI Company Since 1985



Delivered Lumens: **4,148**
Watts: **43w**
Lumens Per Watt: **97**
CCT: **5000K**
CRI: **80**
Replaces up to **250w HID**



Dimensions:

Width (D): **14¹/₄" (362mm)**
Length (B): **11³/₈" (289mm)**
Height (A): **9¹/₈" (232mm)**



**5-Year
Warranty**



Atlantic LED Array:

- High performance arrays with excellent lumen output
- Engineered aluminum boards provide superior thermal management for enhanced LED light output and lifespan
- Custom designed for each fixture for maximum optical performance
- 5000K CCT delivers a natural white light
- Estimated 213,000 hours of maintenance-free operation (L70)

Driver:

- 120-277V, 50/60 Hz electronic driver
- 0-10V, 10-100% dimming capable for additional energy savings

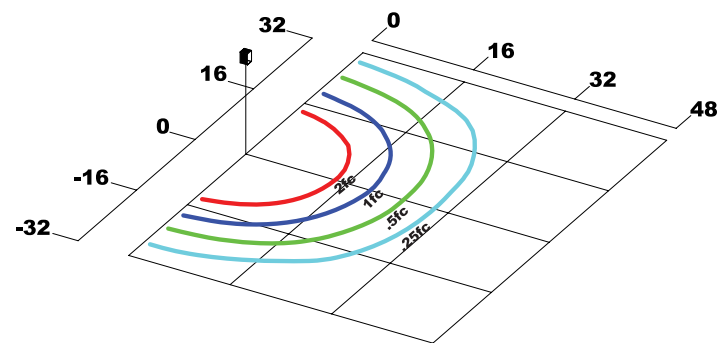
Housing:

- Heavy-duty professional grade housing with a durable, corrosion and weather-resistant powdercoat finish
- Manufactured from 100% pure aluminum
- Gasketed coin plugs for easy installation of photocontrols or conduit
- Housing is sealed against moisture, dust and environmental contaminants

Features:

- Easily replaces traditional metal halide fixtures while maintaining jobsite appearance
- High-efficiency, long-lasting LED array minimizes maintenance costs
- 5 Year warranty

Photometric Data:



AI WPC15QF1X37U5KC
Type V

Grid in MH
MH=16 Feet

www.atlanticind.net

Rev. 072117

12802 COMMODITY PLACE • TAMPA, FL 33626

ORDER TODAY

PHONE **813-664-9700**
EMAIL **SALES@ATLANTICIND.NET**
FAX **813-664-9704**