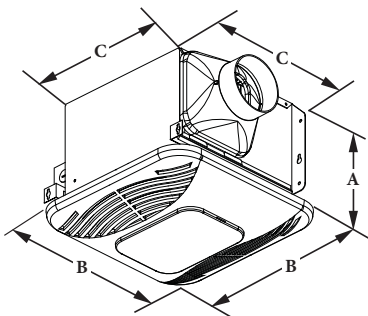


## 110 CFM Ultra-Quiet LED Bath Vent/Light - AI BFV110LEDUQ



A height	B grill size	C housing size
7-3/4"	13-1/4" sq.	12" sq.
197mm	337mm	305mm



### Description

Provides efficient ventilation for larger bathrooms, laundry rooms and utility rooms up to 105 square feet. 12 watt energy-efficient LED light provides pleasing light. Easy installation with built-in junction box and receptacle. Rated for continuous use and designed for maximum airflow and ultra-quiet operation.

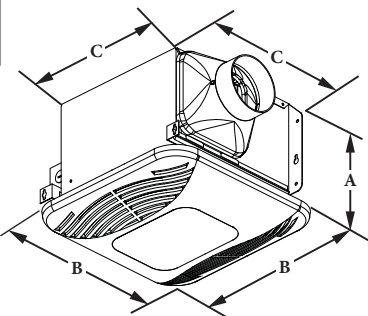
### Specifications and Features

- Galvanized Housing with Plated Sound Absorbing Finish for Humid Conditions & Various Attic Temperatures.
- Attractive Molded Grille with Diffuser Designed for LED Applications and Spring Clips for Smooth Fit Against Ceiling or Wall.
- Dishwasher Safe Grille for Easy Cleaning.
- Permanently Lubricated Ball Bearing Motor, Capacitor Driven & Rated for Continuous Operation
- Designed for Ultra Low RPM for Quiet Operation
- Centrifugal Polymeric Blower Wheel with Unique Two Way Air Dissipation for Maximum Airflow & Quiet Operation
- Two Way Mounting: 16" or 24" On-Center Key Hole Slots
- Markings on Housings for Ceiling & Wall Thickness
- Built-in Junction Box for Easy Wiring
- Molded 6" & 4" Duct Adapters (Included)
- Built-in Receptacle for Quick Activation
- LED Array and Driver: 1200 lumen output (100 lpw), CRI: >70, CCT: 4000K, 30,000 Hour Rating, LED Wattage: 12w, Electronic Driver, 100-240V, 50/60Hz
- Listings & Ratings: Units & Service Parts are CSA Listed.
- 27.2dB, 0.8 Sones

## 110 CFM Ultra-Quiet Bath Vent - AI BFV110UQ



A height	B grill size	C housing size
7-3/4"	13-1/4" sq.	12" sq.
197mm	337mm	305mm



### Description

Provides efficient ventilation for larger bathrooms, laundry rooms and utility rooms up to 105 square feet. Easy installation with built-in junction box and receptacle. Rated for continuous use and designed for maximum airflow and ultra-quiet operation. Energy Star.

### Specifications and Features

- Galvanized Housing with Plated Sound Absorbing Finish for Humid Conditions & Various Attic Temperatures.
- Attractive Molded Grille with Spring Clips for Smooth Fit Against Ceiling or Wall.
- Dishwasher Safe Grille for Easy Cleaning.
- Permanently Lubricated Ball Bearing Motor, Capacitor Driven & Rated for Continuous Operation
- Designed for Ultra Low RPM for Quiet Operation
- Centrifugal Polymeric Blower Wheel with Unique Two Way Air Dissipation for Maximum Airflow & Quiet Operation
- Two Way Mounting: 16" or 24" On-Center Key Hole Slots
- Markings on Housings for Ceiling & Wall Thickness
- Built-in Junction Box for Easy Wiring
- Molded 6" & 4" Duct Adapters (Included)
- Built-in Receptacle for Quick Activation
- Listings & Ratings: Units & Service Parts are CSA Listed.
- 27.2dB, 0.8 Sones