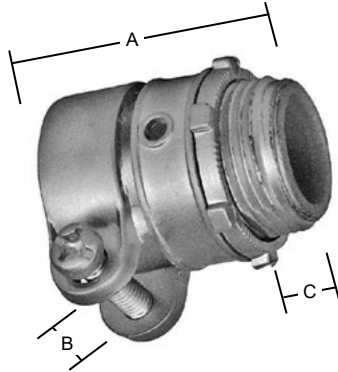


## BX/Flex Squeeze Type Connectors - Zinc Straight



### Industry Standards

- UL 514B
- Fed. Spec. W-F-406E
- NEMA: FB-1

### Construction

- Zinc Die Cast
- Zinc Locknut and Steel Tri-head Screws

### Application

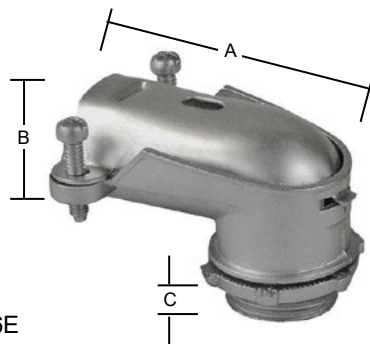
- For use in indoor and dry locations only to connect flexible metal conduit to steel outlet boxes or other metal enclosures
- To be used with Armored Cables (AC), Flexible Metal Conduit (FMC), Interlocked Metal Cables (MC-type) and Hospital Care Facility Cable (Type AC and Type MC)

### Features

- Male hub threaded NPSM

catalog number	size in inches	box qty.	weight lbs. per unit	weight lbs. per box	dimensions (in.)		
					A	B min/max	C
AI L42	3/8"	50	0.07	3.5	1.00	.58/.61	0.37
AI L42-1	1/2"	25	0.10	2.5	1.47	.74/.95	0.4
AI L42-2	3/4"	25	0.13	3.2	1.58	.88/1.11	0.4
AI L42-3	1"	50	0.20	10.0	1.75	1.14/1.38	0.54
AI L42-4	1 1/4"	25	0.29	7.3	1.91	1.42/1.65	0.64
AI L42-5	1 1/2"	20	0.40	8.0	2.09	1.68/1.94	0.75
AI L42-6	2"	20	0.53	10.5	2.34	2.08/2.56	0.78
AI L42-7	2 1/2"	40	0.90	36.0	2.81	2.85/3.25	0.875
AI L42-8	3"	25	1.70	42.5	3.84	3.33/3.63	1.031
AI L42-10	4"	10	3.00	30.0	4.56	4.18/4.58	1.031

## BX/Flex Squeeze Box Connectors - Zinc 90°



### Industry Standards

- UL 514B
- Fed. Spec. W-F-406E
- NEMA: FB-1

### Construction

- Zinc Die Cast
- Zinc Locknut and Steel Tri-head Screws

### Application

- For use in indoor and dry locations only to connect flexible metal conduit to steel outlet boxes or other metal enclosures
- To be used with Armored Cables (AC), Flexible Metal Conduit (FMC), Interlocked Metal Cables (MC-type) and Hospital Care Facility Cable (Type AC and Type MC)

### Features

- Male hub threaded NPSM

catalog number	size in inches	box qty.	weight lbs. per unit	weight lbs. per box	dimensions (in.)		
					A	B min/max	C
AI L110	3/8"	50	0.09	4.50	1.07	.43/.72	0.37
AI L110-1	1/2"	25	0.14	3.50	2.11	.64/1.03	0.4
AI L110-2	3/4"	25	0.20	5.00	2.40	.76/1.15	0.4
AI L110-3	1"	25	0.38	9.50	2.87	1.09/1.73	0.54
AI L110-4	1 1/4"	10	0.50	5.00	4.00	1.34/1.97	0.64
AI L110-5	1 1/2"	25	1.00	25.00	6.00	1.65/2.61	0.75
AI L110-6	2"	20	1.20	24.00	6.00	1.54/2.54	0.78
AI L110-7	2 1/2"	10	3.60	36.00	7.19	2.45/2.98	0.875
AI L110-8	3"	5	4.50	22.50	7.88	2.93/3.45	1.031
AI L110-10	4"	5	10.00	50.00	10.20	3.68/4.43	1.031