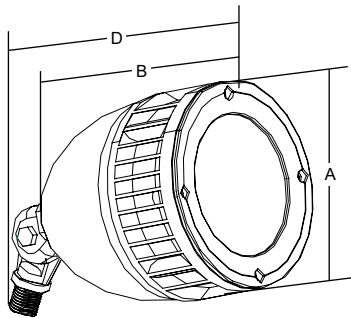


2Gen LED Bullet - AI FB1BC31X20U41KZ

L70
25°C **89,000 Hours**



A diameter	B length	D length 2
5 7/8"	6 1/4"	9 1/4"
150mm	160mm	235mm



Description

The Atlantic Industrial AI FB1 LED Bullet luminaire is available with a knuckle mounting feature and is designed to replace HID lighting systems up to 100w MH or HPS. Typical lighting applications include retail centers, industrial parks, schools and universities, public transit and airports, office buildings and medical facilities. Mounting can be accomplished using ground attachment accessories and up to heights of 12 feet based on light level and uniformity requirements.

Specifications and Features

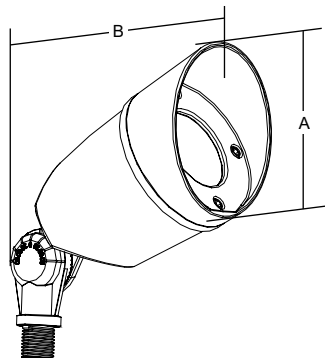
- **Delivered Lumens:** 2,340
- **Housing:** Die cast gasketed aluminum housing and front frame with integral heat-dissipating fins for thermal management. Nickel plated stainless steel hardware.
- **Finish:** Textured architectural bronze powdercoat finish over a chromate conversion coating.
- **Lens:** Tempered clear flat glass lens.
- **Mounting Options:** Mount with included 1/2" NPS knuckle
- **LED:** Cool Copper COB
- **Wattage:** COB: 20w, System: 21w; (100w HID equivalent)
- **Driver:** Electronic driver, 120-277V, 50/60Hz; dimmable driver
- **Listing & Ratings:** CSA: Listed for wet locations. Operating temperatures: -40°C to +50°C. IP66

Small 2Gen LED Bullet - AI FB2DC31X10U41KZ

L70
25°C **147,000 Hours**



A diameter	B length
3 3/4"	8"
98mm	201mm



Description

The Atlantic Industrial AI FB2 LED Bullet luminaire is available with a knuckle mounting feature and is designed to replace HID lighting systems up to 50w MH or HPS. Typical lighting applications include retail centers, industrial parks, schools and universities, public transit and airports, office buildings and medical facilities. Mounting can be accomplished using ground attachment accessories and up to heights of 12 feet based on light level and uniformity requirements.

Specifications and Features

- **Delivered Lumens:** 850
- **Housing:** Die cast gasketed aluminum housing and front frame with integral heat-dissipating fins for thermal management. Nickel plated stainless steel hardware.
- **Finish:** Textured architectural bronze powdercoat finish over a chromate conversion coating.
- **Lens:** Tempered clear flat glass lens.
- **Mounting Options:** Mount with included 1/2" NPS knuckle
- **LED:** Cool Copper COB
- **Wattage:** COB: 10w, System: 10w; (50w HID equivalent)
- **Driver:** Electronic driver, 120-277V, 50/60Hz; dimmable driver
- **Listing & Ratings:** CSA: Listed for wet locations. Operating temperatures: -40°C to +50°C. IP66