

## Small LED Flood - AI FL20L1X18U\*KZK



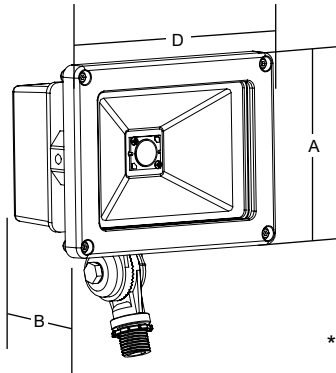
**L70**  
25°C **128,000 Hours**

### Description

The Atlantic Industrial AI FL20 flood light luminaire is available with a knuckle mounting feature and is designed to replace HID lighting systems up to 70w MH or HPS. Typical lighting applications include retail centers, industrial parks, schools and universities, public transit and airports, office buildings and medical facilities. Mounting can be accomplished using ground attachment accessories and up to heights of 12 feet based on light level and uniformity requirements.

### Specifications and Features

- **Delivered Lumens:** 4K: 2,300; 5K: 2,330
- **Housing:** Die cast aluminum housing and front frame with separate ballast compartment. Integral heat-dissipating fins for thermal management. 1/2" threaded aperture with liquid-tight connector.
- **Finish:** Textured architectural bronze powdercoat finish over a chromate conversion coating.
- **Lens:** Clear flat glass lens.
- **Mounting Options:** Adjustable knuckle with 1/2" NPS threads.
- **COB LED:** LED COB
- **Wattage:** LED: 1 x 18w; System: 21w; (70w HID equivalent)
- **Driver:** Electronic driver, 120-277V, 50/60Hz; dimmable driver
- **Listing & Ratings:** CSA: Listed for wet locations. Operating temperatures: -30°C to +50°C. IP66



\*Specify CCT: 4=4000K; 5=5000K



A height	B length	D width
5 1/4"	4 3/8"	6 1/4"
133mm	113mm	172mm

## Medium LED Flood - AI FL45QF1X37U\*KCZ



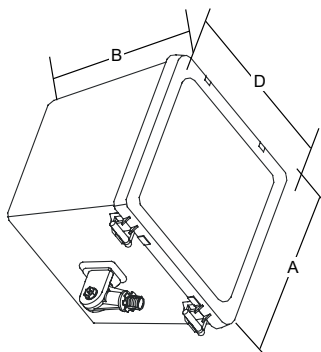
**L70**  
25°C **308,000 Hours**

### Description

The Atlantic Industrial AI FL45Q flood light luminaire is available with a knuckle mount and an optical distribution designed to replace HID lighting systems from 100w to 175w MH or HPS. Typical lighting applications include retail centers, industrial parks, schools and universities, public transit and airports, office buildings and medical facilities. Mounting can be accomplished using ground attachment accessories and up to heights of 20 feet based on light level and uniformity requirements.

### Specifications and Features

- **Delivered Lumens:** 4K: 3,800; 5K: 4,100
- **Housing:** Die-cast aluminum housing & hinged gasketed lens frame. Nickel-plated stainless steel hardware.
- **Finish:** Textured architectural bronze powdercoat finish over a chromate conversion coating.
- **Lens:** Tempered clear flat glass lens.
- **Mounting Options:** Adjustable knuckle with angle indicators & 1/2" NPS threads.
- **LED Array:** Aluminum boards
- **Wattage:** Array: 37.2w, System: 41w; (175w HID equivalent)
- **Driver:** Electronic driver, 120-277V, 50/60Hz; dimmable driver
- **Listing & Ratings:** CSA: Listed for wet locations. Operating temperatures: -40°C to +50°C. IP65



\*Specify CCT: 4=4000K; 5=5000K



A height	B length	D width
10 1/4"	7 1/4"	9"
260mm	184mm	229mm