

## Large LED Wall Pack - AI WP20QF1X58U5KZ



L70  
25°C

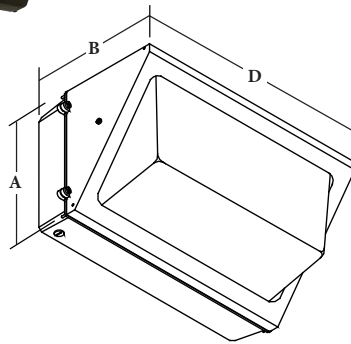
138,000 Hours

### Description

The Atlantic Industrial AI WP20Q general purpose wall pack luminaire provides optically controlled wide spread light distribution designed to replace HID lighting systems from 250w to 400w MH or HPS. Typical wall mounted lighting applications include retail centers, industrial parks, schools and universities, public transit and airports, office buildings and medical facilities. Mounting heights of 18 to 30 feet can be used based on light level and uniformity requirements.

### Specifications and Features

- Delivered Lumens:** 8,000
- Housing:** Die cast aluminum housing & hinged front frame, 1/2" coin plugs with O-rings for conduit & photocell. Gasketed.
- Finish:** Textured architectural bronze powdercoat finish over a chromate conversion coating.
- Lens:** Molded prismatic borosilicate glass lens
- Mounting Options:** Cast-in template for mounting directly over a 4" recessed outlet box, or use 1/2" surface conduit.
- LED Array:** Aluminum boards
- Wattage:** Array: 57.8w, System: 67.3w, (400w HID equivalent)
- Driver:** Electronic driver, 120-277V, 50/60Hz; dimmable driver
- Listing & Ratings:** CSA: Listed for wet locations. Operating temperatures: -40°C to +40°C. IP65 sealed LED compartment.



A height	B length	D width
9"	9-3/8"	18-1/8"
229mm	238mm	479mm

## Small Full Cutoff LED Wall Pack - AI WPC12QF1X22U5KCZ



L70  
25°C

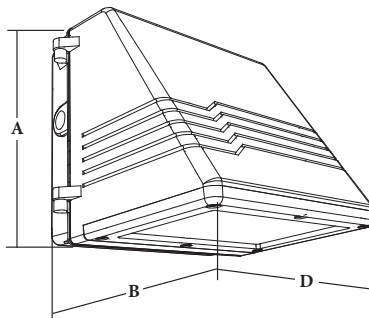
196,000 Hours

### Description

The Atlantic Industrial AI WPC12Q cutoff wall pack luminaire is available with a choice of optical distributions designed to replace HID lighting systems up to 175w MH or HPS. Typical wall mounted lighting applications include retail centers, industrial parks, schools and universities, public transit and airports, office buildings and medical facilities. Mounting heights of 8 to 15 feet can be used based on light level and uniformity requirements.

### Specifications and Features

- Delivered Lumens:** 2,260
- Housing:** Die cast hinged and gasketed aluminum front frame and housing with 1/2" coin plugs. Nickel-plated stainless steel Hardware. Photocell adaptable.
- Finish:** Textured architectural bronze powdercoat finish over a chromate conversion coating.
- Lens:** Tempered clear flat glass lens.
- Mounting Options:** Cast-in template for mounting directly over a 4" recessed outlet box, or use 1/2" surface conduit.
- LED Array:** Aluminum boards
- Wattage:** Array: 21.7w, System: 25w, (175w HID equivalent)
- Driver:** Electronic driver, 120-277V, 50/60Hz; dimmable driver
- Listing & Ratings:** CSA: Listed for wet locations. Operating temperatures: -40°C to +40°C. IP55



A height	B length	D width
8-5/8"	9-1/2"	8-3/4"
219mm	241mm	222mm