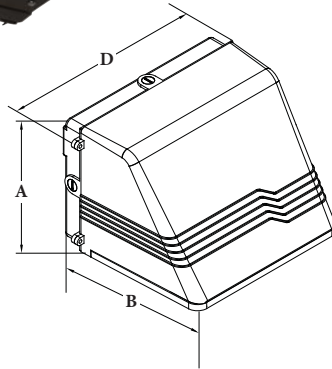


**Medium Full Cutoff LED Wall Pack - AI WPC15QF1X37U5KCZ**

L70  
25°C  
213,000 Hours



A height	B length	D width
9-1/8"	11-3/8"	14-1/4"
232mm	289mm	362mm

**Description**

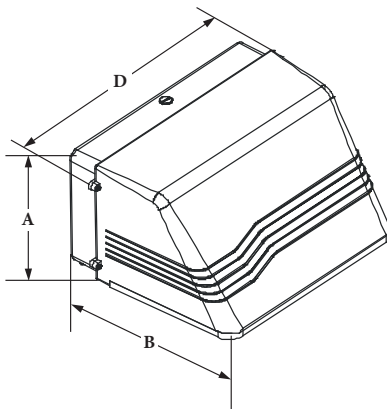
The Atlantic Industrial AI WPC15Q cutoff wall pack luminaire is available with a choice of optical distributions designed to replace HID lighting systems 175w to 250 MH or HPS. Typical wall mounted lighting applications include retail centers, industrial parks, schools and universities, public transit and airports, office buildings and medical facilities. Mounting heights of 12 to 18 feet can be used based on light level and uniformity requirements.

**Specifications and Features**

- Delivered Lumens:** 4,200
- Housing:** Die cast hinged and gasketed aluminum front frame and housing with 1/2" coin plugs. Nickel-plated stainless steel hardware. Photocell adaptable.
- Finish:** Textured architectural bronze powdercoat finish over a chromate conversion coating.
- Lens:** Tempered clear flat glass lens.
- Mounting Options:** Cast-in template for mounting directly over a 4" recessed outlet box, or use 1/2" surface conduit.
- LED Array:** Aluminum boards
- Wattage:** Array: 37.2w, System: 43w. (250w HID equivalent)
- Driver:** Electronic driver, 120-277V, 50/60Hz; dimmable driver
- Listing & Ratings:** CSA: Listed for wet locations. Operating temperatures: -40°C to +40°C. IP65

**Large Full Cutoff LED Wall Pack - AI WPC20QF1X56U5KCZ**

L70  
25°C  
201,000 Hours



A height	B length	D width
9-1/8"	13-3/4"	18-1/4"
232mm	349mm	464mm

**Description**

The Atlantic Industrial WPC20Q cutoff wall pack luminaire is available with a choice of optical distributions designed to replace HID lighting systems 250w to 400 MH or HPS. Typical wall mounted lighting applications include retail centers, industrial parks, schools and universities, public transit and airports, office buildings and medical facilities. Mounting heights of 18 to 30 feet can be used based on light level and uniformity requirements.

**Specifications and Features**

- Delivered Lumens:** 6,600
- Housing:** Die cast hinged and gasketed aluminum front frame and housing with 1/2" coin plugs. Nickel-plated stainless steel hardware. Photocell adaptable.
- Finish:** Textured architectural bronze powdercoat finish over a chromate conversion coating.
- Lens:** Tempered clear flat glass lens.
- Mounting Options:** Cast-in template for mounting directly over a 4" recessed outlet box, or use 1/2" surface conduit.
- LED Array:** Aluminum boards
- Wattage:** Array: 55.8w, System: 63w. (400w HID equivalent)
- Driver:** Electronic driver, 120-277V, 50/60Hz; dimmable driver
- Listing & Ratings:** CSA: Listed for wet locations. Operating temperatures: -40°C to +40°C. IP55