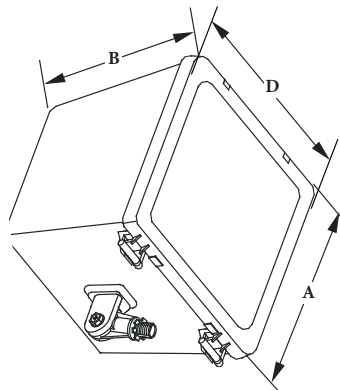


Medium LED Flood - AI FL45QF1X37U5KCZ

L70
25°C → 308,000 Hours



A height	B length	D width
10-1/4"	7-1/4"	9"
260mm	184mm	229mm



Description

The Atlantic Industrial AI FL45Q flood light luminaire is available with a choice of knuckle or slip fitter mounting configurations and two optical distributions designed to replace HID lighting systems from 100w to 175w MH or HPS. Typical lighting applications include retail centers, industrial parks, schools and universities, public transit and airports, office buildings and medical facilities. Mounting can be accomplished using ground attachment accessories and up to heights of 20 feet based on light level and uniformity requirements.

Specifications and Features

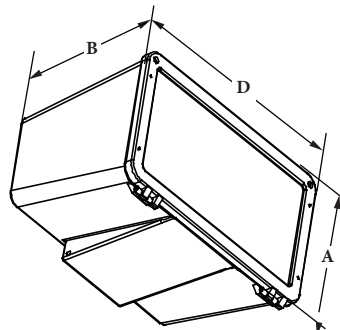
- Delivered Lumens:** 3,390
- Housing:** Die-cast aluminum housing & hinged gasketed lens frame. Nickel-plated stainless steel hardware.
- Finish:** Textured architectural bronze powdercoat finish over a chromate conversion coating.
- Lens:** Clear flat glass lens.
- Mounting Options:** Adjustable knuckle with angle indicators & 1/2" NPS threads.
- LED Array:** Aluminum boards
- Wattage:** Array: 37.2w, System: 41w. (175w HID Equivalent)
- Driver:** Electronic driver, 120-277V, 50/60Hz; dimmable driver
- Listing & Ratings:** CSA: Listed for wet locations. Operating temperatures: -40°C to +40°C. IP65 sealed LED compartment.

Large LED Flood - AI FL65QF1X68U5KCZSY

L70
25°C → 385,000 Hours



A height	B length	D width
10-1/8"	10-1/2"	16-1/8"
257mm	267mm	410mm



Description

The Atlantic Industrial AI FL65Q Large Flood light luminaire is available with a choice of yoke or slip fitter mounting configurations and medium flood optical distribution designed to replace HID lighting systems up to 400w MH or HPS. Typical lighting applications include retail centers, industrial parks, schools and universities, public transit and airports, office buildings and medical facilities. Mounting can be accomplished using wide variety of attachment accessories for wall, pole, and ground locations to heights of 25 feet based on light level and uniformity requirements.

Specifications and Features

- Delivered Lumens:** 6,000
- Housing:** Die-cast aluminum housing & hinged gasketed lens frame. Nickel-plated stainless steel hardware.
- Finish:** Textured architectural bronze powdercoat finish over a chromate conversion coating.
- Lens:** Tempered clear flat glass lens.
- Mounting Options:** Stamped steel small.
- LED Array:** Aluminum boards
- Wattage:** Array: 68.2w, System: 75w. (400w HID Equivalent)
- Driver:** Electronic driver, 120-277V, 50/60Hz; dimmable driver
- Listing & Ratings:** CSA: Listed for wet locations. Operating temperatures: -40°C to +40°C. IP65 sealed LED compartment.