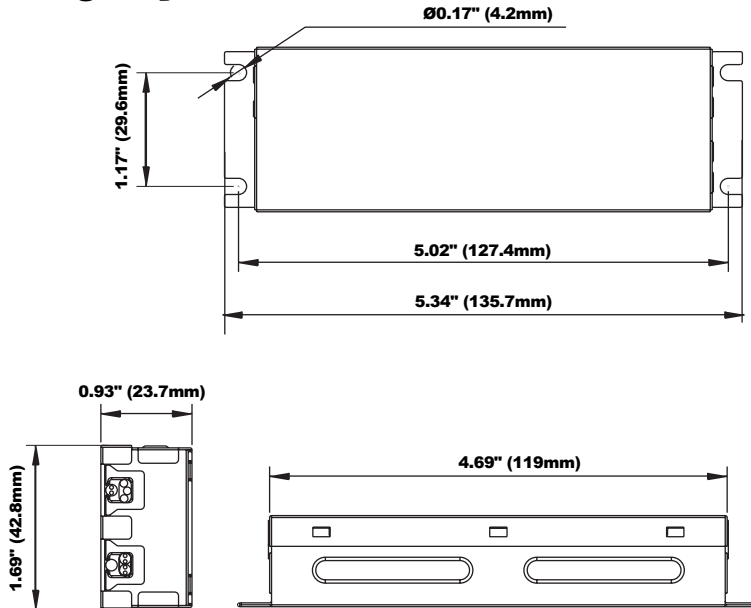


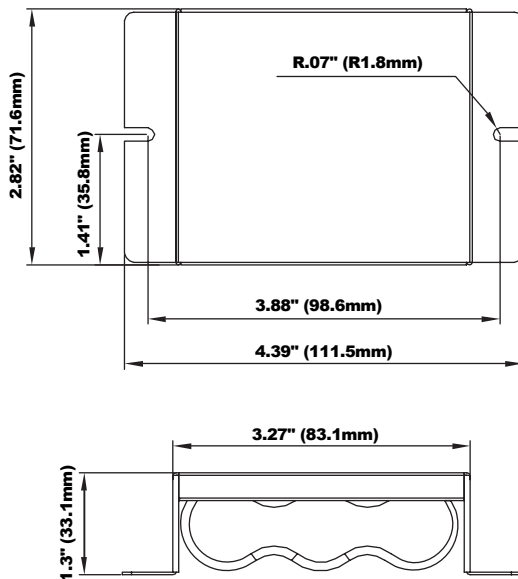
AI3EBL120277-36F

LED Battery Backup

Emergency Driver



LED Battery Pack



The AI3EBL120277-36F provides at least 90 minutes of backup power for select models of our LED fixtures.

Specifications and Features:

Features:

Battery Over Discharge Protection
Output Short Circuit Protection
LED Red/Green Stainless Steel Test Switch

Electrical Specifications:

Input Voltage: 100-277VAC, 50/60Hz
Input Current: 0.1A Max.
Input Power: 6W Max.
Standby Input Power: <0.8W
Driver Type: Constant Current
Output Current: 100mA -700mA
Output Voltage Range: 12-55VDC
Output Wattage: 1.2-16W
Number of Output Channels: 1 Channel
Output Type: LED Class 2
RFI/EMI: FCC Part 15 Class A
Battery Discharge Time: 90 Minutes Min.
Ambient Operating Temperature Range: 10°C to 50°C (50°F to 122°F)
Input Surge Protection: 2.5KV Ring Wave
Battery Type: LiFePO 4 (Lithium Iron Phosphate, LFP)
Life: 50,000 Hours

Testing The System:

The emergency battery requires a charge minimum of one (1) hour before testing the circuit. A full charge requires twenty-four (24) hours.

Test Switch:

Red/Green LED
IP67
Life: >100,000 Cycles

Listing & Ratings:

RoHS, cURus 1310, cURus 924, CEC Title 20, Dry and Damp Locations

Use with:

- AIAFRWS20Q
- AIAFR30Q
- AIAFR31Q
- AIAFR32Q
- AIAFRC30Q
- AIAFRC30QL
- AIAFS30Q
- AIAFS31Q
- AIAFS32Q
- AIAFSC30Q
- AIAL50Q
- AIBOFGQ*
- AIBOFLQ*
- AIBOFRLQ*
- AIBOGQ*
- AIBOLQ*
- AIBOLQSS*
- AIBORLQ*
- AIBORLQSS*
- AIBOSFGQ*
- AIBOSFLQ*
- AIBOSFRLQ*
- AICP10Q
- AICP30Q
- AILV2AQ
- AILV4AQ
- AIVGS40Q
- AIVN34Q
- AIVN40Q
- AIVN43Q
- AIVN44Q
- AIVN55Q*
- AIVNGL40Q
- AIVNR34Q
- AIWCTRDC3
- AIWCTRSC3*
- AIWH15Q
- AIWP15Q
- AIWP20Q
- AIWP34Q
- AIWP35Q
- AIWP36Q
- AIWPA15Q
- AIWPA25Q
- AIWPC12Q*
- AIWPC15Q*
- AIWPC36Q
- AIWPC44Q
- AIWPC45Q
- AIWPR22GR
- AIWPR22HC
- AIWPR25GR
- AIWPR25HC
- AIWPR25OF
- AIWPR40GR
- AIWPR40HC
- AIWPS22GR
- AIWPS22HC
- AIWPS22OF
- AIWPS25GR
- AIWPS25HC
- AIWPS25OF

*Also Available on Amber Models.

