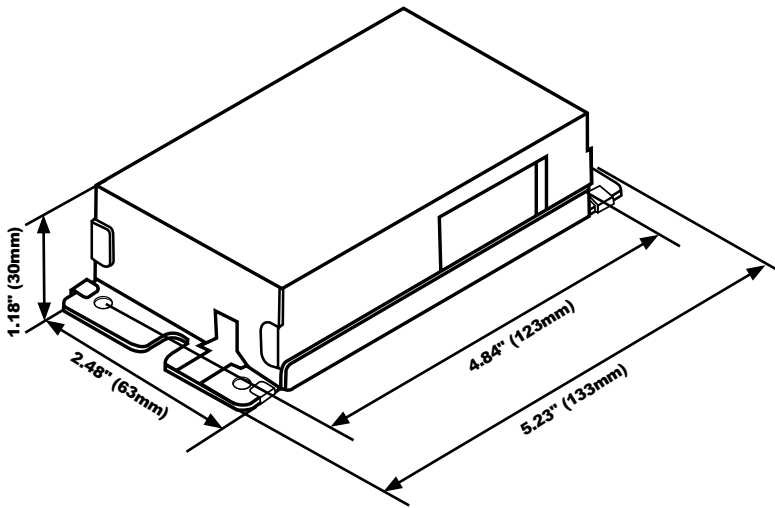


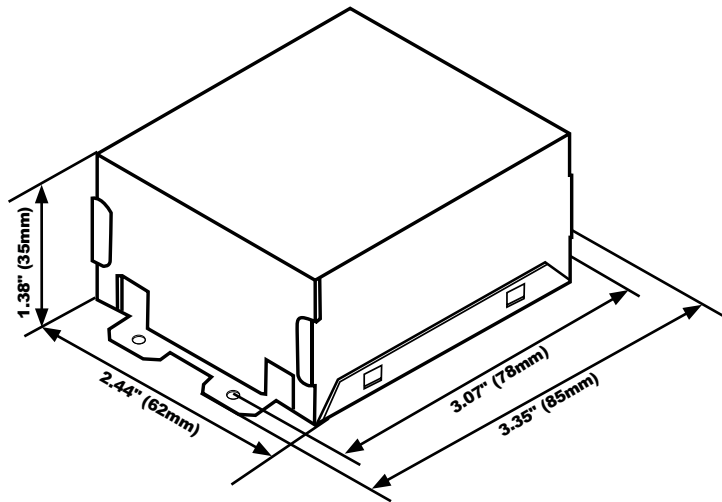
# AI3EBLX10T1555CPA

## Cold Start LED Battery Backup

### Emergency Driver



### LED Battery Pack



The AI3EBLX10T1555CPA Cold Start Battery Backup provides at least 90 minutes of backup power for select models of our LED fixtures.

#### Specifications and Features:

##### Features:

Open/Short/Over-Voltage/Over Temperature Protection  
Self-Sensing Output Voltage Adjusts to Various LED Loads  
Battery Status Indicator

##### Electrical Specifications:

Input Voltage: 100-277VAC, 50/60Hz  
Input Current: 140A Max.  
Input Power: 10W Max.  
Driver Type: Constant Current  
Output Current: 180-660mA  
Output Voltage Range: 15-55VDC  
Output Wattage: 10W  
Output Type: LED Class 2  
Battery Discharge Time: 90 Minutes Min.  
Ambient Operating Temperature Range: -20°C to 55°C (-4°F to 131°F)  
Input Surge Protection: 3KV  
Battery Type: Lithium Ion  
Battery Voltage: 7.2V  
Battery Charge Time (Max): 24 Hours

##### Listing & Ratings:

UL and cUL Listed Emergency Driver (UL924) CEC Title 20 Compliant. RoHS Compliant. FCC

##### Use with:

- |              |              |             |
|--------------|--------------|-------------|
| • AIAFRWS20Q | • AIBOSFRLQ* | • AIWPA15Q  |
| • AIAFR30Q   | • AICP10Q    | • AIWPA25Q  |
| • AIAFR31Q   | • AICP30Q    | • AIWPC12Q* |
| • AIAFR32Q   | • AILV2AQ    | • AIWPC15Q* |
| • AIAFRC30Q  | • AILV4AQ    | • AIWPC36Q  |
| • AIAFRC30QL | • AIVGS40Q   | • AIWPC44Q  |
| • AIAFS30Q   | • AIVN34Q    | • AIWPC45Q  |
| • AIAFS31Q   | • AIVN40Q    | • AIWPR22GR |
| • AIAFS32Q   | • AIVN43Q    | • AIWPR22HC |
| • AIAFSC30Q  | • AIVN44Q    | • AIWPR25GR |
| • AIAL50Q    | • AIVN55Q*   | • AIWPR25HC |
| • AIBOFGQ*   | • AIVNGL40Q  | • AIWPR25OF |
| • AIBOFLQ*   | • AIVNR34Q   | • AIWPR40GR |
| • AIBOFRLQ*  | • AIWCTRDC3  | • AIWPR40HC |
| • AIBOGQ*    | • AIWCTRSC3* | • AIWPS22GR |
| • AIBOLQ*    | • AIWH15Q    | • AIWPS22HC |
| • AIBOLQSS*  | • AIWP15Q    | • AIWPS22OF |
| • AIBORLQ*   | • AIWP20Q    | • AIWPS25GR |
| • AIBORLQSS* | • AIWP34Q    | • AIWPS25HC |
| • AIBOSFGQ*  | • AIWP35Q    | • AIWPS25OF |
| • AIBOSFLQ*  | • AIWP36Q    |             |

\*Also Available on Amber Models.

**ATLANTIC Solutions**  
By Atlantic Industrial