

AIARCH18

Single Wall Mount Shepherd's Crook



EPA of Bracket (No Scrolls): 1.0
EPA of Bracket (Scrolls): 1.3
Weight Load: 65 lbs./Per Arm

Specifications and Features:

Specifications

Atlantic's AIARCH18 Shepherd's Crook Wall Mount Arm is Available in 24" or 30" and is Constructed of Seamless Aluminum Tubing. Atlantic's Shepherd's Crooks Include Factory Installed Rubber Grommets for Wireways, Press-On End Caps and Set Screw Shaft Mounting Connections for Easy Orientation Adjustment in the Field.

Note: Contractor is Responsible for Field Drilling Holes in the Back Plate to Correspond with Variations in Mounting Boxes, Wall Material, and Location of the Fixture.

Finish

Super Durable Polyester Powdercoat Finish. Custom Finishes, Including Patinas and All RAL Colors (Adder).

Warranty

5 Year Limited Warranty on Paint Finish Only.

Order Information Example: AIARCH18SG30NWMBK

AIARCH18	SG			WM	
Model	# Of Arms	Size	Scrolls	Mount	Finish
	SG=Single	24=24" Arm 30=30" Arm	N=None SCR1=Scroll 1 SCR2=Scroll 2 SCR3=Scroll 3 SCR4=Scroll 4 SCR5=Scroll 5	WM=Wall Mount	STANDARD FINISHES BK =Black BZ =Bronze DBZ =Dark Bronze WH =White GR =Green SM =Silver Metallic GY =Light Gray TBK =Textured Black* CC =Custom Color (Consult Factory) *Matches Atlantic B-Black Finish

Project Information:

Project Name: _____ Fixture Type: _____

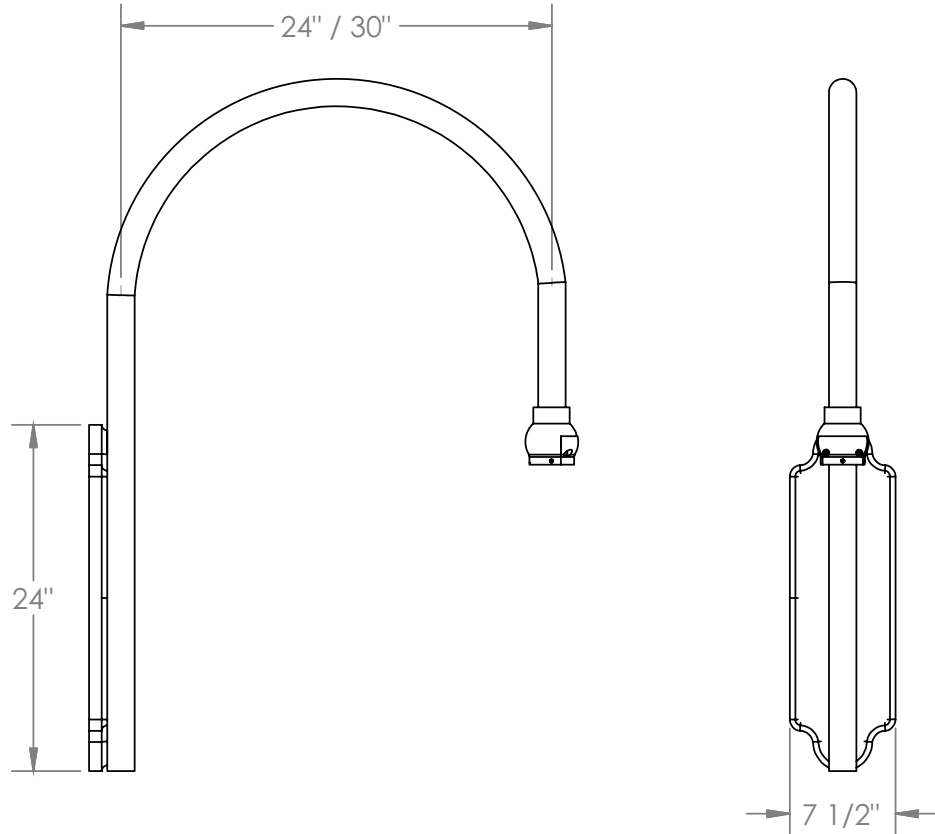
Complete Catalog #: _____ Date: _____

Comments: _____

Certification & Listings:

Specifications subject to change without notice. Rev. 020922

Dimensions



Scroll Options

Scroll 1



Scroll 2



Scroll 3



Scroll 4



Scroll 5

