

AIARCH30

30" Hub Mount Shepherd's Crook



EPA of Bracket (No Scrolls): 1.0
EPA of Bracket (Scrolls): 1.3
Weight Load: 65 lbs.



EPA of Bracket (No Scrolls): 2.0
EPA of Bracket (Scrolls): 2.6
Weight Load: 65 lbs./Per Arm

Specifications and Features:

Specifications

Atlantic's AIARCH30 Hub Mount Shepherd's Crook is a 30" Crook Constructed of Seamless Aluminum Tubing. Atlantic's Shepherd's Crooks Include Factory Installed Rubber Grommets for Wireways, Press-On End Caps and Set Screw Shaft Mounting Connections for Easy Orientation Adjustment in the Field.

Finish

Super Durable Polyester Powdercoat Finish. Custom Finishes, Including Patinas and All RAL Colors (Adder).

Requirements

The AIARCH30 Shepherd's Crook requires a sleeve. Please Indicated OD of Pole When ordering.

Warranty

5 Year Limited Warranty on Paint Finish Only.

Order Information Example: AIARCH30SGNSLVBK

AIARCH30		SLV		
Model	# Of Arms	Scrolls	Mount	Finish
	SG =Single DB =Double	N =None SCR1 =Scroll 1 SCR2 =Scroll 2 SCR3 =Scroll 3 SCR4 =Scroll 4 SCR5 =Scroll 5	SLV =Sleeve for 4" or 5" Pole (Adder, Indicate Pole OD)	STANDARD FINISHES BK =Black BZ =Bronze DBZ =Dark Bronze WH =White GR =Green SM =Silver Metallic GY =Light Gray TBK =Textured Black* CC =Custom Color (Consult Factory) *Matches Atlantic B-Black Finish

Project Information:

Project Name: _____ Fixture Type: _____

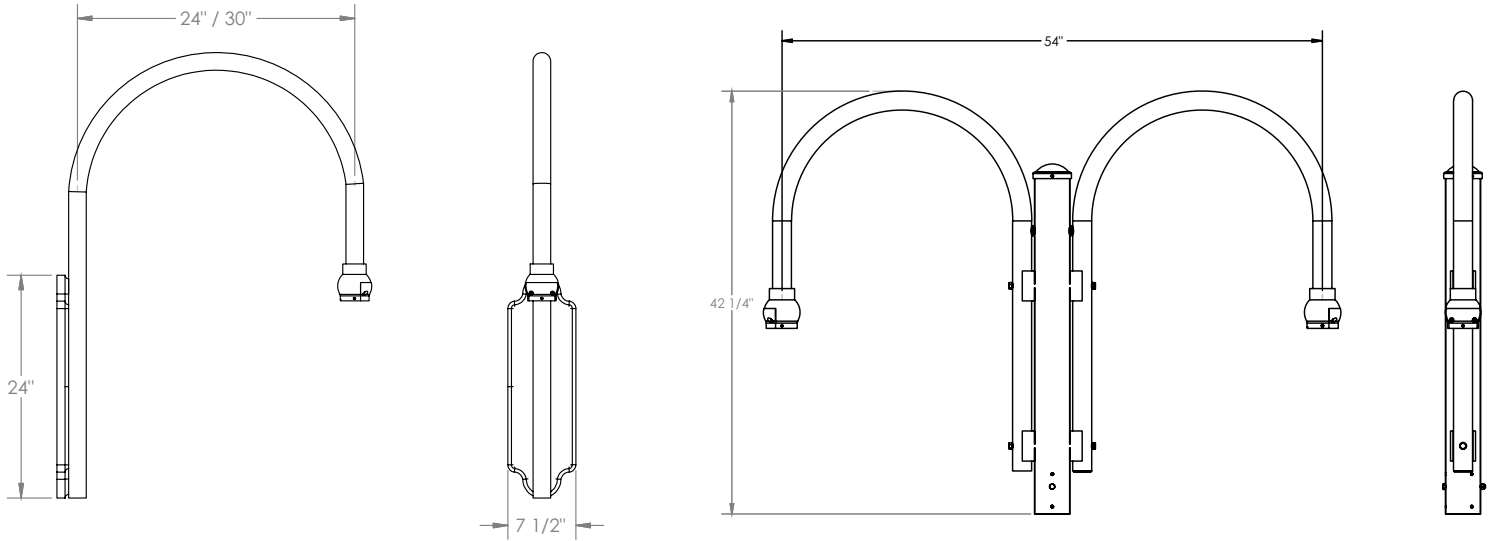
Complete Catalog #: _____ Date: _____

Comments: _____

Certification & Listings:

Specifications subject to change without notice. Rev. 020922

Dimensions



Scroll Options

Scroll 1



Scroll 2



Scroll 3



Scroll 4



Scroll 5

