

AIFLR1

Windley Pendant



Shown with W1 Shade and Solid Midsection

EPA: 1.96
Weight: 27 lbs (Max.)

Specifications and Features:

LED

- Conformal Coating LED light engine
- CCT: Amber, LPS (1800K), 2200K, 2700K, 3000K, 4000K, 5000K
- Static Colors Available - Contact Factory

Distribution

- Types I* II, III, IV, V (Type I Available in 70w & Higher Only)
- Full Cutoff

Electrical

- Electronic Driver, 120-277V, 50/60Hz or 347/480V, 50/60Hz
- 0-10v Dimmable Driver
- Standard Surge Protection Included (6kV Line-Line; 10k-V Line-Earth)

Controls (Optional)

- Button Eye Photo Control (PC)
- House Side Shield (H)

Housing

- Cast Aluminum Upper Dome & Spun Aluminum Lower Shade

Finish

- Super Durable Polyester Powder Coat Finish. Custom Finishes Available, Including Patinas and All RAL Colors.

Listings & Ratings

- ETL Listed to UL 1598 Standard for Wet Location.

Warranty

- 5 Year Limited Warranty

Order Information Example:

AIFLR1W1NL70W4KU3SMSPENNBZ

Model	Shades	Globe/Lens	LED Module	Voltage	Distribution	Midsections & Accents	Mounting	Options	Finish
AIFLR1 Windley Pendant	W1 =Flared W2 =Shallow Tapered W4 =Non-Flared W5 =Extended Flare	NL =No Secondary Lens	See Lumen Output Chart	U =120-277V H =347/480V	1 =Type I* 2 =Type II 3 =Type III 4 =Type IV 5 =Type V *70W & Above Only	SMS =Solid Midsection 4W =4 Window Midsection 16W =16 Window Midsection LM =Louvered Midsection CR =Cast Rings (4)* *PEN Top Mount Only	PEN =Top Mount (Standard) SMPR =Side Mount, Round Pole SMPS =Side Mount, Square Pole SMW =Side Mount, Wall	PC =Button Eye Photo Control H =House Side Shield N =None	STANDARD FINISHES BK =Black BZ =Bronze DBZ =Dark Bronze WH =White GR =Green SM =Silver Metallic GY =Light Gray TBK =Textured Black* CC =Custom Color (Consult Factory) *Matches Atlantic B-Black Finish

Project Information:

Project Name: _____ Fixture Type: _____

Complete Catalog #: _____ Date: _____

Comments: _____

Certification & Listings:

Specifications subject to change without notice. Rev. 083022



Lumen Output



Lumen Output for Windley														
CCT	LED Module	Input Watts	Efficacy Range		Type 1	BUG Rating	Type 2	BUG Rating	Type 3	BUG Rating	Type 4	BUG Rating	Type 5	BUG Rating
5K	10W5K	10	119.3	122.5	Not Available		1249	B0-U0-G0	1251	B1-U0-G1	1233	B0-U0-G0	1255	B1-U0-G0
	15W5K	15	119.3	122.5			1881	B1-U0-G0	1885	B1-U0-G1	1857	B1-U0-G1	1889	B1-U0-G0
	20W5K	20	119.3	122.5			2513	B1-U0-G1	2518	B1-U0-G1	2481	B1-U0-G1	2524	B2-U0-G0
	30W5K	30	119.3	122.5			3762	B1-U0-G1	3769	B1-U0-G1	3714	B1-U0-G1	3779	B2-U0-G1
	40W5K	40	119.3	122.5			5025	B1-U0-G1	5036	B2-U0-G2	4962	B1-U0-G2	5048	B3-U0-G1
	50W5K	50	119.3	122.5			6319	B1-U0-G1	6333	B2-U0-G2	6240	B2-U0-G2	6348	B3-U0-G1
	60W5K	60	119.3	122.5	7523	B2-U0-G1	7539	B2-U0-G2	7428	B2-U0-G2	7557	B3-U0-G2		
	70W5K	70	119.3	122.5	8535	B3-U0-G2	8727	B2-U0-G1	8745	B2-U0-G2	8617	B2-U0-G2	8767	B3-U0-G2
	80W5K	80	119.3	122.5	9816	B3-U0-G2	10036	B2-U0-G2	10057	B3-U0-G3	9909	B2-U0-G2	10082	B3-U0-G2
	90W5K	90	119.3	122.5	11037	B3-U0-G3	11285	B2-U0-G2	11308	B3-U0-G3	11142	B2-U0-G2	11336	B4-U0-G2
	105W5K	105	119.3	122.5	12877	B3-U0-G3	13165	B2-U0-G2	13193	B3-U0-G3	13000	B3-U0-G3	13225	B4-U0-G2
	120W5K	120	119.3	122.5	14716	B3-U0-G3	15046	B2-U0-G2	15077	B3-U0-G3	14857	B3-U0-G3	15115	B4-U0-G2
	135W5K	135	119.3	122.5	16556	B4-U0-G3	16927	B3-U0-G2	16962	B3-U0-G3	16714	B3-U0-G3	17004	B4-U0-G2
4K	10W4K	10	109.3	112.3	Not Available		1145	B0-U0-G0	1147	B1-U0-G1	1130	B0-U0-G0	1150	B1-U0-G0
	15W4K	15	109.3	112.3			1724	B1-U0-G0	1728	B1-U0-G1	1702	B1-U0-G1	1732	B1-U0-G0
	20W4K	20	109.3	112.3			2303	B1-U0-G1	2308	B1-U0-G1	2274	B1-U0-G1	2314	B2-U0-G0
	30W4K	30	109.3	112.3			3448	B1-U0-G1	3455	B1-U0-G1	3405	B1-U0-G1	3464	B2-U0-G1
	40W4K	40	109.3	112.3			4607	B1-U0-G1	4616	B1-U0-G1	4549	B1-U0-G1	4628	B3-U0-G1
	50W4K	50	109.3	112.3			5793	B1-U0-G1	5805	B2-U0-G2	5720	B1-U0-G2	5819	B3-U0-G1
	60W4K	60	109.3	112.3	6896	B2-U0-G1	6910	B2-U0-G2	6809	B2-U0-G2	6928	B3-U0-G1		
	70W4K	70	109.3	112.3	7824	B3-U0-G2	8000	B2-U0-G1	8016	B2-U0-G2	7899	B2-U0-G2	8036	B3-U0-G2
	80W4K	80	109.3	112.3	8998	B3-U0-G2	9199	B2-U0-G1	9219	B2-U0-G2	9084	B2-U0-G2	9241	B3-U0-G2
	90W4K	90	109.3	112.3	10117	B3-U0-G2	10344	B2-U0-G2	10366	B3-U0-G3	10214	B2-U0-G2	10391	B4-U0-G2
	105W4K	105	109.3	112.3	11804	B3-U0-G3	12068	B2-U0-G2	12093	B3-U0-G3	11916	B3-U0-G3	12123	B4-U0-G2
	120W4K	120	109.3	112.3	13490	B3-U0-G3	13792	B2-U0-G2	13821	B3-U0-G3	13619	B3-U0-G3	13855	B4-U0-G2
	135W4K	135	109.3	112.3	15176	B4-U0-G3	15516	B2-U0-G2	15549	B3-U0-G3	15321	B3-U0-G3	15587	B4-U0-G2
3K	10W3K	10	99.4	102.1	Not Available		1041	B0-U0-G0	1043	B1-U0-G1	1028	B0-U0-G0	1045	B1-U0-G0
	15W3K	15	99.4	102.1			1567	B1-U0-G0	1571	B1-U0-G1	1548	B1-U0-G1	1574	B1-U0-G0
	20W3K	20	99.4	102.1			2094	B1-U0-G1	2098	B1-U0-G1	2068	B1-U0-G1	2103	B2-U0-G0
	30W3K	30	99.4	102.1			3135	B1-U0-G1	3141	B1-U0-G1	3095	B1-U0-G1	3149	B2-U0-G1
	40W3K	40	99.4	102.1			4188	B1-U0-G1	4197	B1-U0-G1	4135	B1-U0-G1	4207	B3-U0-G1
	50W3K	50	99.4	102.1			5266	B1-U0-G1	5277	B2-U0-G2	5200	B1-U0-G2	5290	B3-U0-G1
	60W3K	60	99.4	102.1	6269	B1-U0-G1	6282	B2-U0-G2	6190	B2-U0-G2	6298	B3-U0-G1		
	70W3K	70	99.4	102.1	7113	B3-U0-G2	7272	B2-U0-G1	7287	B2-U0-G2	7181	B2-U0-G2	7306	B3-U0-G2
	80W3K	80	99.4	102.1	8180	B3-U0-G2	8363	B2-U0-G1	8381	B2-U0-G2	8258	B2-U0-G2	8401	B3-U0-G2
	90W3K	90	99.4	102.1	9198	B3-U0-G2	9404	B2-U0-G1	9423	B3-U0-G3	9285	B2-U0-G2	9447	B3-U0-G2
	105W3K	105	99.4	102.1	10731	B3-U0-G2	10971	B2-U0-G2	10994	B3-U0-G3	10833	B2-U0-G2	11021	B4-U0-G2
	120W3K	120	99.4	102.1	12264	B3-U0-G2	12539	B2-U0-G2	12565	B3-U0-G3	12381	B3-U0-G3	12596	B4-U0-G2
	135W3K	135	99.4	102.1	13796	B3-U0-G3	14106	B2-U0-G2	14135	B3-U0-G3	13928	B3-U0-G3	14170	B4-U0-G2
27K	10W27K	10	96.4	99	Not Available		1009	B0-U0-G0	1012	B0-U0-G0	997	B0-U0-G0	1014	B1-U0-G0
	15W27K	15	96.4	99			1520	B1-U0-G0	1523	B1-U0-G1	1501	B1-U0-G1	1527	B1-U0-G0
	20W27K	20	96.4	99			2031	B1-U0-G0	2035	B1-U0-G1	2006	B1-U0-G1	2040	B2-U0-G0
	30W27K	30	96.4	99			3041	B1-U0-G1	3047	B1-U0-G1	3002	B1-U0-G1	3054	B2-U0-G1
	40W27K	40	96.4	99			4062	B1-U0-G1	4071	B1-U0-G1	4011	B1-U0-G1	4081	B3-U0-G1
	50W27K	50	96.4	99			5108	B1-U0-G1	5119	B2-U0-G2	5044	B1-U0-G2	5131	B3-U0-G1
	60W27K	60	96.4	99	6081	B1-U0-G1	6094	B2-U0-G2	6005	B2-U0-G2	6109	B3-U0-G1		
	70W27K	70	96.4	99	6899	B3-U0-G2	7054	B2-U0-G1	7069	B2-U0-G2	6965	B2-U0-G2	7086	B3-U0-G1
	80W27K	80	96.4	99	7934	B3-U0-G2	8112	B2-U0-G1	8129	B2-U0-G2	8010	B2-U0-G2	8149	B3-U0-G2
	90W27K	90	96.4	99	8922	B3-U0-G2	9122	B2-U0-G1	9141	B2-U0-G2	9007	B2-U0-G2	9163	B3-U0-G2
	105W27K	105	96.4	99	10409	B3-U0-G2	10642	B2-U0-G2	10664	B3-U0-G3	10508	B2-U0-G2	10691	B4-U0-G2
	120W27K	120	96.4	99	11896	B3-U0-G3	12162	B2-U0-G2	12188	B3-U0-G3	12009	B3-U0-G3	12218	B4-U0-G2
	135W27K	135	96.4	99	13383	B3-U0-G3	13683	B2-U0-G2	13711	B3-U0-G3	13510	B3-U0-G3	13745	B4-U0-G2

Please refer to the fixture's IES file for detailed information. Subject to change.

Specifications subject to change without notice. Rev. 021022

Style Options



W1 Shade, 4W Midsection



W1 Shade, 16W Midsection



W1 Shade, Louvered Midsection



W1 Shade, Solid Midsection



W2 Shade, 4W Midsection



W2 Shade, 16W Midsection



W2 Shade, Louvered Midsection



W2 Shade, Solid Midsection



W4 Shade, 4W Midsection



W4 Shade, 16W Midsection



W4 Shade, Louvered Midsection



W4 Shade, Solid Midsection

Style Options



W5 Shade, 4W Midsection



W5 Shade, 16W Midsection



W5 Shade, Louvered Midsection



W5 Shade, Solid Midsection



Cast Rings (shown w/ W1 shade)

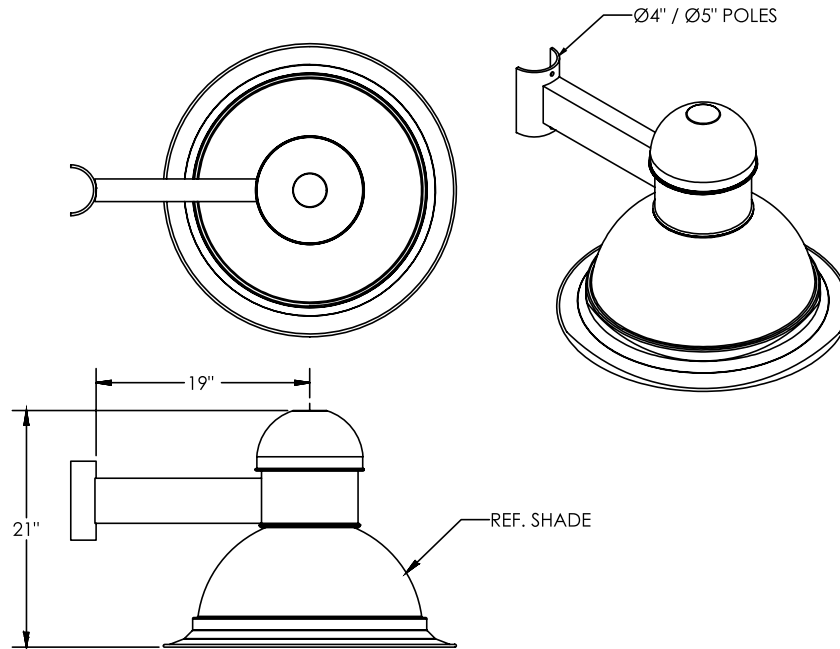


Pole Mount (SMPR/S)

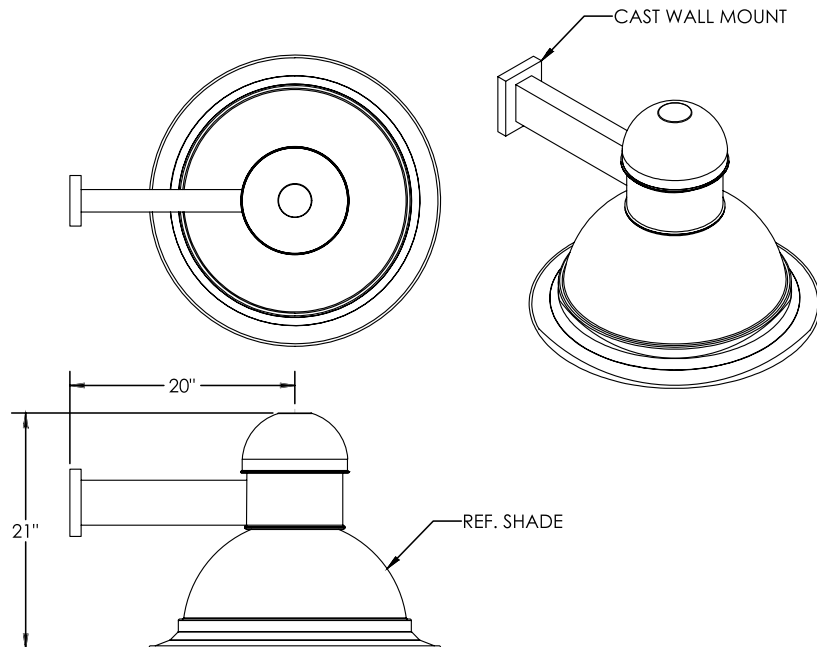


Side Mount, Wall (SMW)

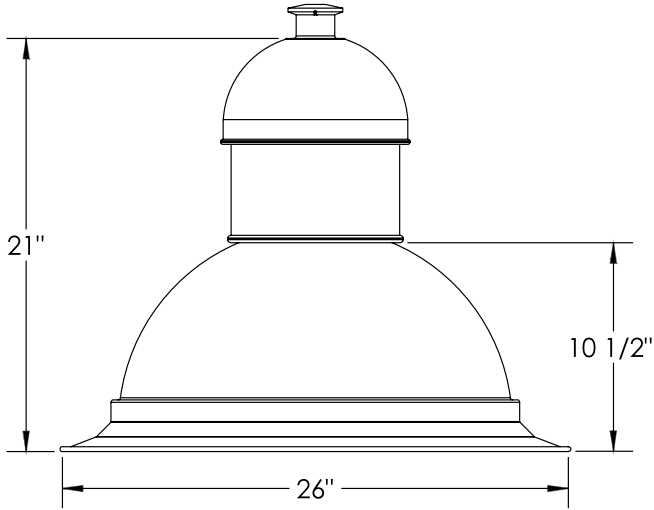
Pole Mount Dimensions



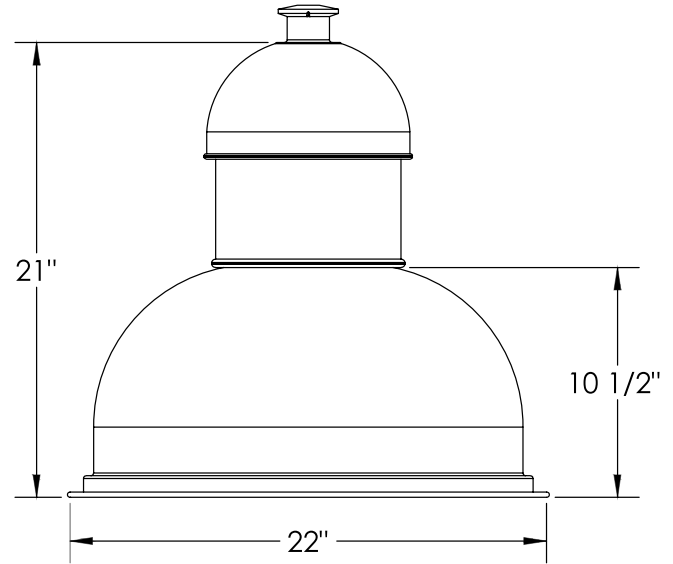
Wall Mount Dimensions



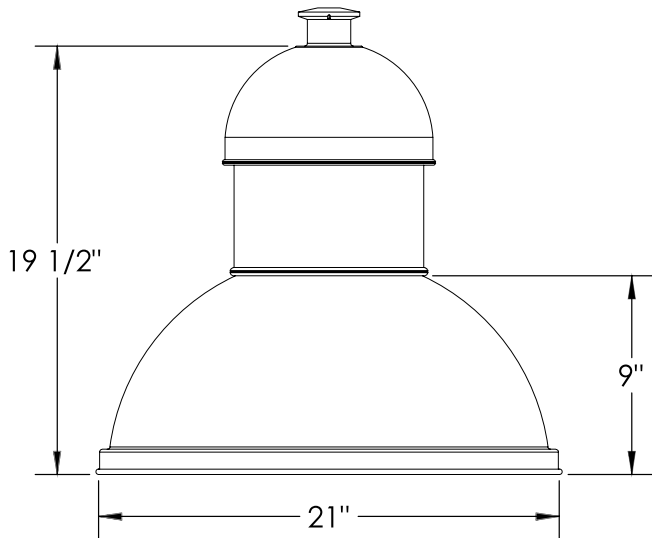
Dimensions



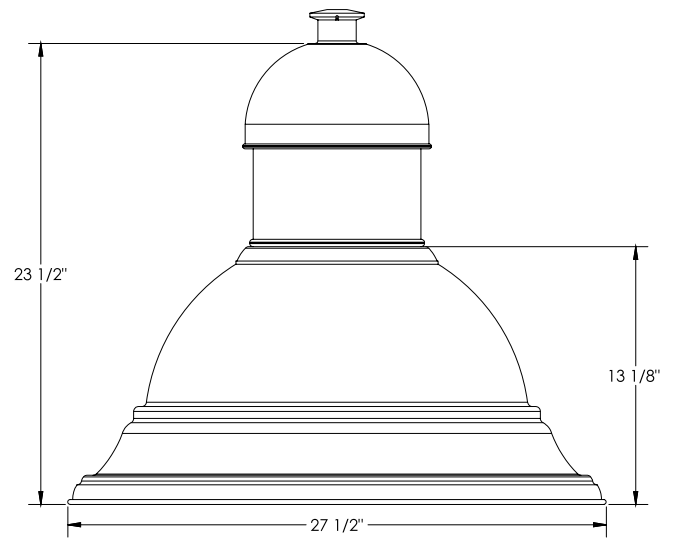
W1 Shade



W2 Shade



W4 Shade



W5 Shade