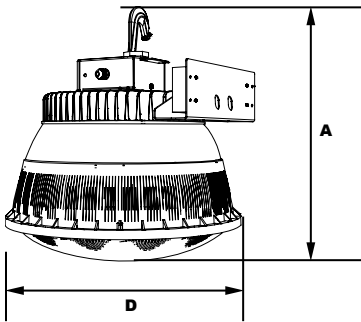


AIHB31C3 | **L70**
25°C | **78,000 Hours**

2Gen Low Profile Highbay with UpLight



**Microwave Sensor
Factory Installed "M3"
Option (120-277V Only)**



Dimensions	
Diameter (D)	16 1/4" (413mm)
Height (A)	17 3/4" (448mm)

The Atlantic AIHB31 2Gen Low Profile HighBay is available with a choice of LumaLens and clear UV-stabilized polycarbonate upper reflector and lower lens combinations to provide up to 30% uplight component and reduce direct glare. The fixture is designed to replace HID lighting systems up to 400w MH. Typical high bay lighting applications include convention centers, gymnasiums, natatoriums indoor sports facilities, retail stores and manufacturing facility lighting. Suitable for 14 to 40 foot mounting heights based on light level and uniformity requirements.

Specifications and Features:

Housing:

Die Cast Aluminum Housing with External Heat Sinks for Cooler Operating Temperatures. Externally Mounted Driver.

Listing & Ratings:

CSA: Listed for Dry Locations, ANSI/UL 1598, 8750; IP65 (with Lenses); IP44 (Open)

Finish:

White Powdercoat Finish Over a Chromate Conversion Coating. Custom Colors Available Upon Request.

Lens:

Clear UV-Stabilized Polycarbonate or SoftLED LumaLens UV-Stabilized Polycarbonate Vandal-Resistant Refractors. Can be Used Open or with Clear Prismatic UV-Stabilized Polycarbonate or SoftLED LumaLens Prismatic UV-Stabilized Polycarbonate Bottom Lenses.

Mounting Options:

Mount with Included 3/4" Die Cast Hook. Adjustable Junction Box Also Accepts 3/4" Conduit.

COB LED:

Cool Copper COB

Wattage:

120w COB: 120w; System: 123w; (250w HID Equivalent)
200w COB: 200w; System: 197w; (400w HID Equivalent)

Driver:

Electronic Driver, 120-277V, 50/60Hz or 347-480V, 50/60Hz (120w Model Only); Less Than 20% THD and PF>0.90. Standard Internal Surge Protection 6kV. 0-10V Dimming Standard for a Dimming Range of 100% to 10%; Dimming Source Current is 150 Microamps;

Controls:

Fixtures Ordered with Factory-Installed Photocell or Motion Sensor Controls are Internally Wired for Switching and/or 1-10V Dimming Within the Housing. Remote Direct Wired Interface of 1-10V Dimming is Not Implied and May Not Be Available, Please Consult Factory. Fixtures are Tested with Atlantic Controls and May Not Function Properly With Controls Supplied By Others. Fixtures are NOT Designed for Use with Line Voltage Dimmers.

Warranty:

5-Year Warranty for -40°C to +50°C Environment.

See Page 4 for Projected Lumen Maintenance Table.

Project Information:

Project Name: _____ Fixture Type: _____

Complete Catalog #: _____ Date: _____

Comments: _____

Certification & Listings:



Specifications subject to change without notice. Rev. 122121

2Gen Low Profile Highbay with Uplight

Order Information Example: AIHB31C310X20U5KLLWSP

AIHB31C3		5K				
Model	Wattage	Driver	CCT	Lens	Color	Options
AIHB31C3=2Gen Low Profile HighBay with Uplight	6X20=120w 10X20=200w	U=120-277V H=347-480V* *120w Model Only	5K=5000K	CO=Clear Upper, No Bottom Lens CP=Clear Upper, Clear Prismatic Lower CL=Clear Upper, SoftLED LumaLens Lower LO=SoftLED LumaLens Upper, No Bottom Lens LP=SoftLED LumaLens Upper, Clear Prismatic Lower LL=SoftLED LumaLens Upper, SoftLED LumaLens Lower	W=White C=Custom (Consult Factory)	SF=Single Fuse* DF=Double Fuse* SP=Surge Protection M3= Microwave Sensor for Mounting Heights of 20 Feet or Above.* CP6120W=6' White Cord, 3 Wire, L5-15P Twist-Lock Plug CP6277W=6' White Cord, 3 Wire, L7-15P Twist-Lock Plug C6600B=6' Black Cord, STW, 600VAC, 3 Wire, Leads C6600W=6' White Cord, STW, 600VAC, 3 Wire, Leads C4600B=4' Black Cord, SEOOW, 600VAC, 3 Wire, Leads *120-277V Models Only.

Lens Options:



AIHB31C3 Shown with Clear Lens



AIHB31C3 Shown with LumaLens

Accessories & Replacement Parts:

Accessories (Order Separately, Field Installed)

AICPSC Safety Cable, 3' Steel Cable with Clear Vinyl Coating, Steel Eye & Loop Ends.



AICPSC

Replacement Parts (Order Separately, Field Installed)

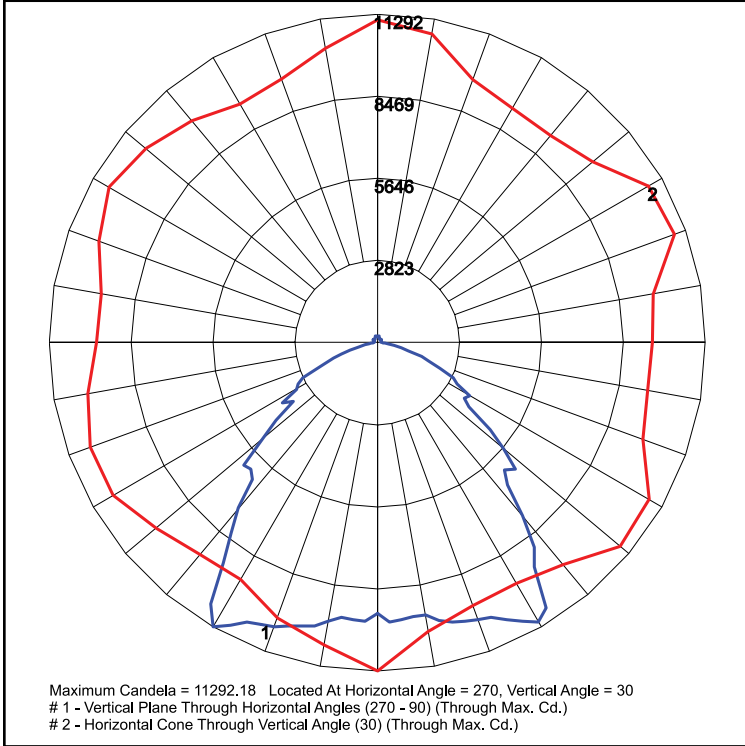
AIPC16UC	Clear UV-Stabilized Polycarbonate Upper Refractor
AIPC16UL	SoftLED LumaLens UV-Stabilized Polycarbonate Upper Refractor
AIPC16LC	Clear UV-Stabilized Polycarbonate Lower Lens
AIPC16LP	Prismatic UV-Stabilized Polycarbonate Lower Lens
AIPC16LL	SoftLED LumaLens Prismatic UV-Stabilized Polycarbonate Lower Lens
AICPMH1	Die Cast Hook with 3/4" NPS Threads
AIP17116	Microwave Sensor for Mounting Heights of 20 Feet or Above*.



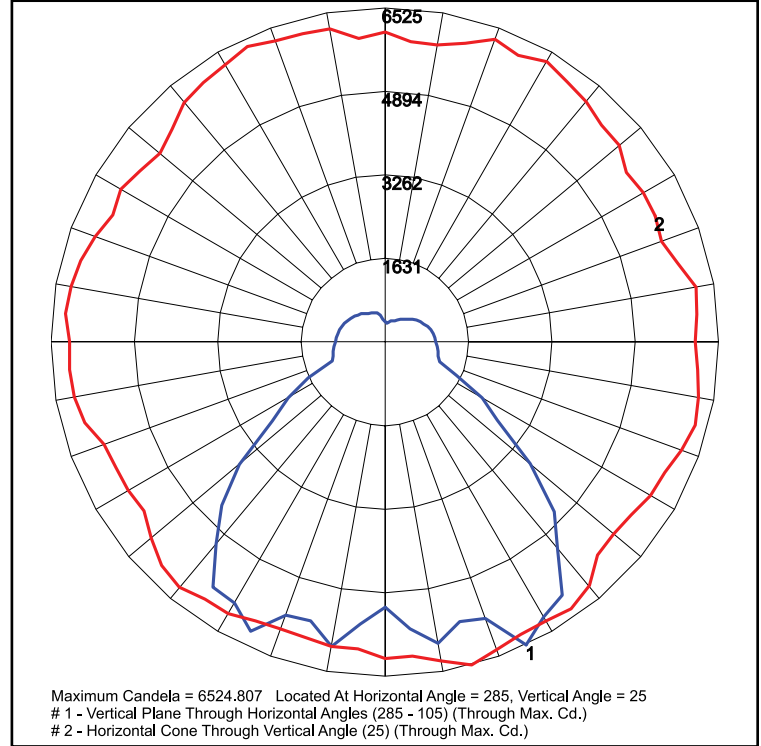
AIP17116

2Gen Low Profile Highbay with UpLight

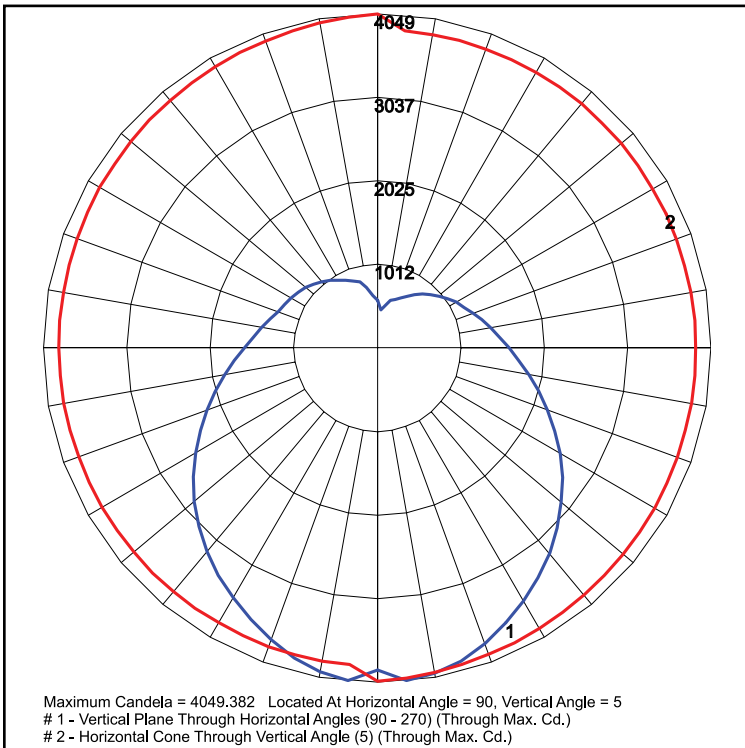
Photometric Data



AIHB31C310X20U5KCC -
Clear Upper, Standard Clear Lower



AIHB31C310X20U5KLC -
LumaLens Upper, Standard Clear Lower



AIHB31C310X20U5KLL -
LumaLens Upper, LumaLens Lower

Specifications subject to change without notice. Rev. 081517

**2Gen Low Profile Highbay with
UpLight**

Photometric Performance

LED COB Watts	Drive Current (mA)	Input Watts	Optics	Spacing Criteria	5000 CCT 80 CRI	
					Lumens	LPW
COB LED 10X20W (LumaLens/LumaLens-LL)	525	197	LL 145°	1.30	22,873	116
COB LED 10X20W (LumaLens/Clear-LC)			LC 96°	1.58	23,016	117
COB LED 10X20W (Clear/Clear-CC)			CC 147°	1.38	26,997	137

Projected Lumen Maintenance

Data shown for 5000 CCT TM-21-11	Input Watts	Compare to MH				Calculated LED Life
		Initial	25,000 Hrs	50,000 Hrs	100,000 Hrs	
L70 Lumen Maintenance @ 25°C / 77°F	All wattages up to and including 197w	1.00	0.90	0.81	0.62	78,000
L70 Lumen Maintenance @ 50°C / 122°F		1.00	0.87	0.73	0.46	56,000
L80 Lumen Maintenance @ 40°C / 104°F		1.00	0.88	0.77	0.53	43,000

NOTES:
 1. Projected per IESNA TM-21-11. Data references the extrapolated performance projections for the base model in a 25°C ambient, based on 10,000 hours of LED testing per IESNA LM-80-08.
 2. Compare to MH box indicates suggested Light Loss Factor (LLF) to be used when comparing to Metal Halide (MH) systems.