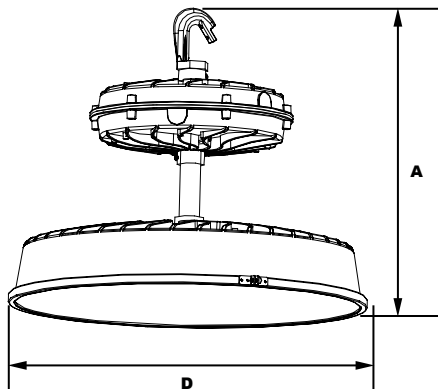


**AIHB45Q** | L70  
25°C | **299,000 Hours**  
**22" LED Narrow Beam HighBay**



**Microwave Sensor  
Factory Installed "M3"  
Option (120-277V Only)**

**MOUNTING up to 70 FEET**



**Dimensions**

<b>Diameter (D)</b>	22¼" (565mm)
<b>Height (A)</b>	16¼" (413mm)

**Project Information:**

Project Name:	Fixture Type:
Complete Catalog #:	Date:
Comments:	

The Atlantic 22" Narrow Beam High Bay is designed to replace HID lighting systems up to 1000w MH. Typical applications are high ceiling industrial, manufacturing, military and large aircraft hangar facilities. Suitable for 40 to 70 foot mounting heights based on light level and uniformity requirements.

**Specifications and Features:**

**Housing:**

Die Cast Aluminum Housing with External Heat Sinks for Cooler Operating Temperatures. Includes 4" Stem.

**Listing & Ratings:**

CSA: Listed for Damp Locations, ANSI/UL 1598, 8750 (Lens Gasket Use Required); IP65 Sealed LED Compartment.

**Finish:**

White Powdercoat Finish Over a Chromate Conversion Coating. Custom Colors Available Upon Request.

**Lens:**

Tempered Clear Flat Glass Lens, UV-Stabilized Polycarbonate Drop Lens, Acrylic Drop Lens, Acrylic Conical Lens.

**Mounting Options:**

Tempered Clear Flat Glass Lens

**LED:**

Aluminum Boards

**Wattage:**

Array: 275.4w, System: 296.4w; (400-1000w HID Equivalent)

**Driver:**

Electronic Driver, 120-277V, 50/60Hz or 347-480V, 50/60Hz; Less Than 20% THD and PF>0.90. Standard Internal Surge Protection 6kV. 0-10V Dimming Standard for a Dimming Range of 100% to 10%; Dimming Source Current is 150 Microamps.

**Controls:**

Fixtures Ordered with Factory-Installed Photocell or Motion Sensor Controls are Internally Wired for Switching and/or 1-10V Dimming Within the Housing. Remote Direct Wired Interface of 1-10V Dimming is Not Implied and May Not Be Available, Please Consult Factory. Fixtures are Tested with Atlantic Controls and May Not Function Properly With Controls Supplied By Others. Fixtures are NOT Designed for Use with Line Voltage Dimmers.

**Warranty:**

5-Year Warranty for -40°C to +50°C Environment.

See Page 3 for Projected Lumen Maintenance Table.

**Certification & Listings:**





Order Information Example: AIHB45QI1X273U5KGWSP							
AIHB45Q	I	1X273		5K	G		
Model	Optics	Wattage	Driver	CCT	Lens	Color	Options
AIHB45Q= 22" LED HighBay	I=Narrow Beam	1X273=273w	U=120-277V H=347-480V	5K=5000K	G=Clear Flat Glass Lens	W=White C=Custom (Consult Factory)	<b>SF</b> =Single Fuse* <b>DF</b> =Double Fuse* <b>SP</b> =Surge Protection <b>M3</b> =Microwave Sensor for Mounting Heights of 20 Feet or Above.* <b>CP6120W</b> =6' White Cord, 3 Wire, L5-15P Twist-Lock Plug <b>CP6277W</b> =6' White Cord, 3 Wire, L7-15P Twist-Lock Plug <b>C6600B</b> =6' Black Cord, STW, 600VAC, 3 Wire, Leads <b>C6600W</b> =6' White Cord, STW, 600VAC, 3 Wire, Leads <b>C4600B</b> =4' Black Cord, SEOWW, 600VAC, 3 Wire, Leads <b>BU</b> =Battery Backup* <b>BUC</b> =Cold Start Battery Backup, -20°C, 90 Minutes* *120-277V Models Only.

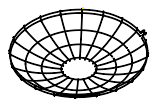
### Lens Options:



AIHB45Q Shown with Tempered Clear Flat Glass Lens (G)

### Accessories & Replacement Parts:

Accessories (Order Separately, Field Installed)		Replacement Parts (Order Separately, Field Installed)	
AIHBR22WG	Wire Guard, Fits AIHB45, for Use with Flat Glass Lenses.	AIHBGL22	22" Tempered Clear Flat Glass Lens
AICPSC	Safety Cable, 3' Steel Cable with Clear Vinyl Coating, Steel Eye & Loop Ends.	AIHBCB22	22" Clampband
		AICPMH3	Die Cast Hook with 1" NPS Threads
		AIP17116	Microwave Sensor for Mounting Heights of 20 Feet or Above (120-277V Only).
		Replacement BU Available-Consult Factory.	
			
		AIP17116	AICPSC



AIHBR22WG



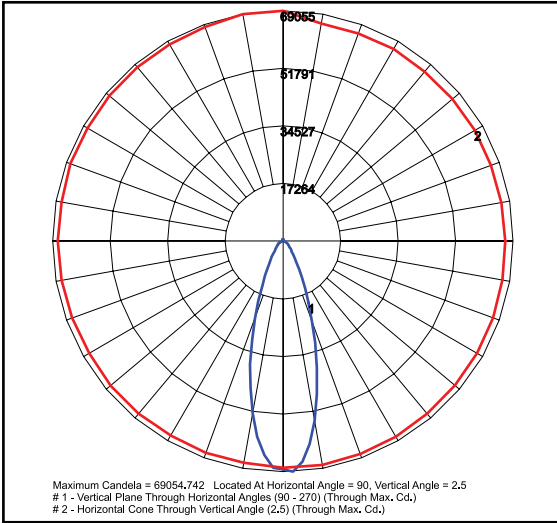
AIP17116



AICPSC

Specifications subject to change without notice. Rev. 032321

**Photometric Data**



**AIHB45Q11X273U5KG -  
Clear Glass Lens**

**Photometric Performance**

LED Board Watts	Drive Current (mA)	Input Watts	Spacing Criteria	5000 CCT 80 CRI	
				Lumens	LPW
<b>LED 273w with Clear Glass (G)</b>	525	296	0.54	33,540	113

**Projected Lumen Maintenance**

Data shown for 5000 CCT TM-21-11	Input Watts	Compare to MH				Calculated LED Life
		Initial	25,000 Hrs	50,000 Hrs	100,000 Hrs	
<b>L70 Lumen Maintenance @ 25°C / 77°F</b>	296	1.00	0.97	0.95	0.90	299,000
<b>L70 Lumen Maintenance @ 50°C / 122°F</b>		1.00	0.97	0.94	0.88	172,000
<b>L80 Lumen Maintenance @ 40°C / 104°F</b>		1.00	0.97	0.93	0.86	148,000

**NOTES:**

- Projected per IESNA TM-21-11. Data references the extrapolated performance projections for the 525mA base model in a 25°C ambient, based on 10,000 hours of LED testing per IESNA LM-80-08.
- Compare to MH box indicates suggested Light Loss Factor (LLF) to be used when comparing to Metal Halide (MH) systems.