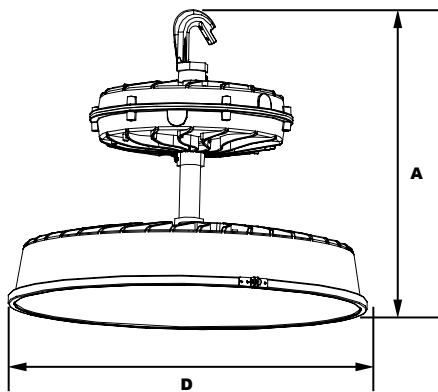


**AIHB45C3**  
**22" COB HighBay**



Microwave Sensor  
Factory Installed "M3"  
Option\*



**Dimensions**

<b>Diameter (D)</b>	22¼" (565mm)
<b>Height (A)</b>	16¼" (413mm)

**Project Information:**

Project Name:	Fixture Type:
Complete Catalog #:	Date:
Comments:	

The Atlantic 22" COB HighBay is available with a choice of four lenses designed to replace HID lighting systems from 1000w MH. Typical high bay lighting applications include warehouses, manufacturing facilities, gymnasiums, indoor sports facilities, and retail and big box store lighting. Suitable for 18 to 45 foot mounting heights based on light level and uniformity requirements.

**Specifications and Features:**

**Housing:**

Die Cast Aluminum Housing with External Heat Sinks for Cooler Operating Temperatures. Includes 4" Stem. Maximum Stem Length: 30 Feet.

**Listing & Ratings:**

CSA: Listed for Damp Locations, ANSI/UL 1598, 8750 (Lens gasket required.) IP65 (with Lenses); IP44 (Open)

**Finish:**

White Powdercoat Finish Over a Chromate Conversion Coating. Custom Colors Available Upon Request.

**Lens:**

Tempered Clear Flat Glass Lens, UV-Stabilized Polycarbonate Drop Lens, Acrylic Drop Lens, Acrylic Conical Lens.

**Mounting Options:**

Mount with Included 1" Die Cast Hook.

**LED:**

Cool Copper COB

**Wattage:**

COB: 320w; System: 316w; (1,000w HID Equivalent)

**Driver:**

Electronic Driver, 120-277V, 50/60Hz or 347-480V, 50/60Hz; Less Than 20% THD and PF>0.90. Standard Internal Surge Protection 6kV. 0-10V Dimming Standard for a Dimming Range of 100% to 10%; Dimming Source Current is 150 Microamps.

**Controls:**

Fixtures Ordered with Factory-Installed Photocell or Motion Sensor Controls are Internally Wired for Switching and/or 1-10V Dimming Within the Housing. Remote Direct Wired Interface of 1-10V Dimming is Not Implied and May Not Be Available, Please Consult Factory. Fixtures are Tested with Atlantic Controls and May Not Function Properly With Controls Supplied By Others. Fixtures are NOT Designed for Use with Line Voltage Dimmers.

**Warranty:**

5-Year Warranty for -40°C to +40°C Environment.

**Certification & Listings:**



**Order Information Example:** AIHB45C316X20U5KGWSP

AIHB45C3	16X20		5K			
Model	Wattage	Driver	CCT	Lens	Color	Options
AIHB45C3= 22" COB HighBay	16X20=320w	U=120-277V H=347-480V	5K=5000K	G=Clear Flat Glass Lens C=Acrylic Conical Lens D=Acrylic Drop Lens B=UV-Stabilized Polycarbonate Drop Lens N=No Lens	W=White C=Custom (Consult Factory)	SF=Single Fuse* DF=Double Fuse* SP=Surge Protection M3=Microwave Sensor for Mounting Heights of 20 Feet or Above* CP6120W=6' White Cord, 3 Wire, L5-15P Twist-Lock Plug CP6277W=6' White Cord, 3 Wire, L7-15P Twist-Lock Plug C6600B=6' Black Cord, STW, 600VAC, 3 Wire, Leads C6600W=6' White Cord, STW, 600VAC, 3 Wire, Leads C4600B=4' Black Cord, SEOWW, 600VAC, 3 Wire, Leads BU=Battery Backup* BUC=Cold Start Battery Backup, -20°C, 90 Minutes*  *120-277V Models Only.

**Lens Options:**



AIHB45C3 Shown with Tempered Clear Flat Glass Lens (G)



AIHB45C3 Shown with Acrylic Conical Lens (C)



AIHB45C3 Shown with Acrylic Drop Lens (D)



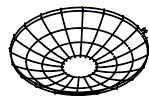
AIHB45C3 Shown with UV-Stabilized Polycarbonate Drop Lens (B)

**Accessories & Replacement Parts:**

**Accessories (Order Separately, Field Installed)**

AIHBAR22WG Wire Guard, Fits AIHB45, for Use with Flat Glass Lenses.

AICPSC Safety Cable, 3' Steel Cable with Clear Vinyl Coating, Steel Eye & Loop Ends.



AIHBAR22WG



AICPSC

**Replacement Parts (Order Separately, Field Installed)**

AIHBGL22 22" Tempered Clear Flat Glass Lens

AIHBCL22 22" LexaLite Clear Prismatic Acrylic Conical Lens. UV Stabilized, High-Efficiency Operation in General Applications.

AIHBDL22 22" LexaLite Clear Prismatic Acrylic Drop Lens. UV Stabilized, High-Efficiency Operation in General Applications.

AIHBPC22 22" UV-Stabilized Polycarbonate Drop Lens.

AIHBCB22 22" Clampband

AICPMH3 Die Cast Hook with 1" NPS Threads

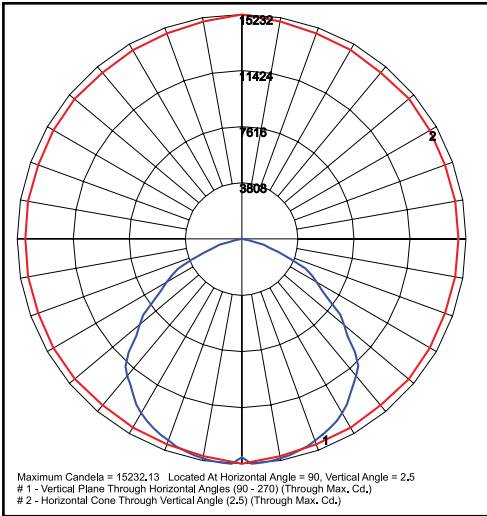
AIP17116 Microwave Sensor for Mounting Heights of 20 Feet or Above\*.

Replacement BU Available-Consult Factory.



AIP17116

**Photometric Data**



**AIHB45C316X20U5KG -  
Clear Glass Lens**

**Photometric Performance**

LED Board Watts	Drive Current (mA)	Input Watts	Spacing Criteria	5000 CCT 80 CRI	
				Lumens	LPW
<b>LED 320w with Clear Glass (G)</b>	525	316	1.32	39,797	126