

AIHB45Q
22" LED HighBay

L70
25°C **299,000 Hours**



Microwave Sensor
Factory Installed "M3"
Option (120-277V Only)

The Atlantic 22" LED HighBay is available with a choice of four lenses designed to replace HID lighting systems from 400w to 1000w MH. Typical high bay lighting applications include warehouses, manufacturing facilities, gymnasiums, indoor sports facilities, and retail and big box store lighting. Suitable for 18 to 45 foot mounting heights based on light level and uniformity requirements.

Specifications and Features:

Housing:

Die Cast Aluminum Housing with External Heat Sinks for Cooler Operating Temperatures. Includes 4" Stem. Maximum Stem Length: 30 Feet.

Listing & Ratings:

CSA: Listed for Damp Locations, ANSI/UL 1598, 8750
(Lens Gasket Use Required); IP65 Sealed LED Compartment.

Finish:

White Powdercoat Finish Over a Chromate Conversion Coating. Custom Colors Available Upon Request.

Lens:

Tempered Clear Flat Glass Lens, UV-Stabilized Polycarbonate Drop Lens, Acrylic Drop Lens, Acrylic Conical Lens.

Mounting Options:

Mount with Included 1" Die Cast Hook.

LED:

Aluminum Boards

Wattage:

Array: 275.4w, System: 296.4w; (400-1000w HID Equivalent)

Driver:

Electronic Driver, 120-277V, 50/60Hz or 347-480V, 50/60Hz; Less Than 20% THD and PF>0.90. Standard Internal Surge Protection 6kV. 0-10V Dimming Standard for a Dimming Range of 100% to 10%; Dimming Source Current is 150 Microamps.

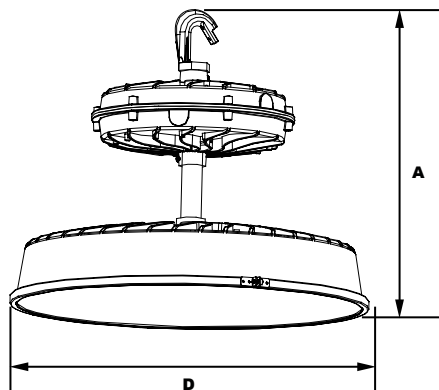
Controls:

Fixtures Ordered with Factory-Installed Photocell or Motion Sensor Controls are Internally Wired for Switching and/or 1-10V Dimming Within the Housing. Remote Direct Wired Interface of 1-10V Dimming is Not Implied and May Not Be Available, Please Consult Factory. Fixtures are Tested with Atlantic Controls and May Not Function Properly With Controls Supplied By Others. Fixtures are NOT Designed for Use with Line Voltage Dimmers.

Warranty:

5-Year Warranty for -40°C to +50°C Environment.

See Page 4 for Projected Lumen Maintenance Table.



Dimensions

Diameter (D)	22 1/4" (565mm)
Height (A)	16 1/4" (413mm)

Project Information:

Project Name: _____ Fixture Type: _____

Complete Catalog #: _____ Date: _____

Comments: _____

Certification & Listings:



Order Information Example: AIHB45QF1X273U5KGWSP							
AIHB45Q	F	1X273					
Model	Optics	Wattage	Driver	CCT	Lens	Color	Options
AIHB45Q= 22" LED HighBay	F=Wide	1X273=273w	U=120-277V H=347-480V	4K=4000K 5K=5000K	G=Clear Flat Glass Lens C=Acrylic Conical Lens D=Acrylic Drop Lens B=UV-Stabilized Polycarbonate Drop Lens	W=White C=Custom (Consult Factory)	SF=Single Fuse* DF=Double Fuse* SP=Surge Protection M3=Microwave Sensor for Mounting Heights of 20 Feet or Above.* CP6120W=6' White Cord, 3 Wire, L5-15P Twist-Lock Plug CP6277W=6' White Cord, 3 Wire, L7-15P Twist-Lock Plug C6600B=6' Black Cord, STW, 600VAC, 3 Wire, Leads C6600W=6' White Cord, STW, 600VAC, 3 Wire, Leads C4600B=4' Black Cord, SEOW, 600VAC, 3 Wire, Leads BU=Battery Backup* BUC=Cold Start Battery Backup, -20°C, 90 Minutes* *120-277V Models Only.

Lens Options:



AIHB45Q Shown with Tempered Clear Flat Glass Lens (G)



AIHB45Q Shown with Acrylic Conical Lens (C)



AIHB45Q Shown with Acrylic Drop Lens (D)



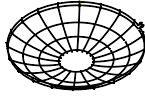
AIHB45Q Shown with UV-Stabilized Polycarbonate Drop Lens (B)

Specifications subject to change without notice. Rev. 32321

Accessories & Replacement Parts:

**Accessories
(Order Separately, Field Installed)**

AIHBAR22WG	Wire Guard, Fits AIHB45, for Use with Flat Glass Lenses.
AICPSC	Safety Cable, 3' Steel Cable with Clear Vinyl Coating, Steel Eye & Loop Ends.



AIHBAR22WG



AICPSC

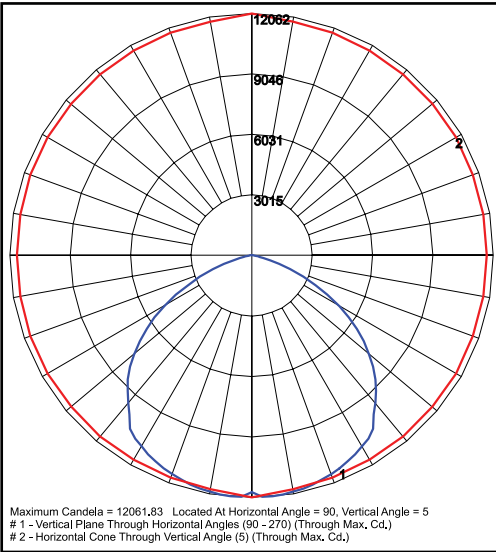
**Replacement Parts
(Order Separately, Field Installed)**

AIHBGL22	22" Tempered Clear Flat Glass Lens
AIHBCL22	22" LexaLite Clear Prismatic Acrylic Conical Lens. UV-Stabilized, High-Efficiency Operation in General Applications.
AIHBDL22	22" LexaLite Clear Prismatic Acrylic Drop Lens. UV-Stabilized, High-Efficiency Operation in General Applications.
AIHBPC22	22" UV-Stabilized Polycarbonate Drop Lens.
AIHBCB22	22" Clampband
AICPMH3	Die Cast Hook with 1" NPS Threads
AIP17116	Microwave Sensor for Mounting Heights of 20 Feet or Above (120-277V Only).
Replacement BU Available-Consult Factory.	

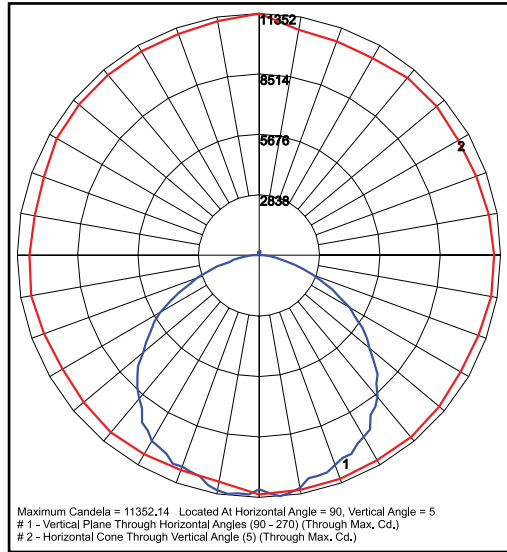


AIP17116

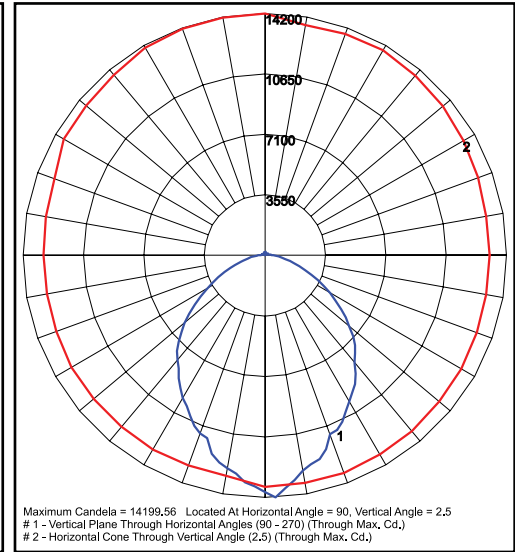
Photometric Data



**AIHB45QF1X273U5KG -
Clear Glass Lens**



**AIHB45QF1X273U5KC -
Conical Lens**



**AIHB45QF1X273U5KD -
Drop Lens**

Photometric Performance

LED Board Watts	Drive Current (mA)	Input Watts	Spacing Criteria	5000 CCT 80 CRI		4000 CCT 80 CRI	
				Lumens	LPW	Lumens	LPW
LED 273w with Clear Glass (G)	525	296	1.34	32,427	110	31,130	105
LED 273w with Acrylic Conical Lens (C)			1.32	32,371	109	31,076	105
LED 273w with Acrylic Drop Lens (D)			1.06	31,509	106	30,249	102

Projected Lumen Maintenance

Data shown for 5000 CCT TM-21-11	Input Watts	Compare to MH				Calculated LED Life
		Initial	25,000 Hrs	50,000 Hrs	100,000 Hrs	
L70 Lumen Maintenance @ 25°C / 77°F	296	1.00	0.97	0.95	0.90	299,000
L70 Lumen Maintenance @ 50°C / 122°F		1.00	0.97	0.94	0.88	172,000
L80 Lumen Maintenance @ 40°C / 104°F		1.00	0.97	0.93	0.86	148,000

NOTES:

1. Projected per IESNA TM-21-11. Data references the extrapolated performance projections for the 525mA base model in a 25°C ambient, based on 10,000 hours of LED testing per IESNA LM-80-08.
2. Compare to MH box indicates suggested Light Loss Factor (LLF) to be used when comparing to Metal Halide (MH) systems.