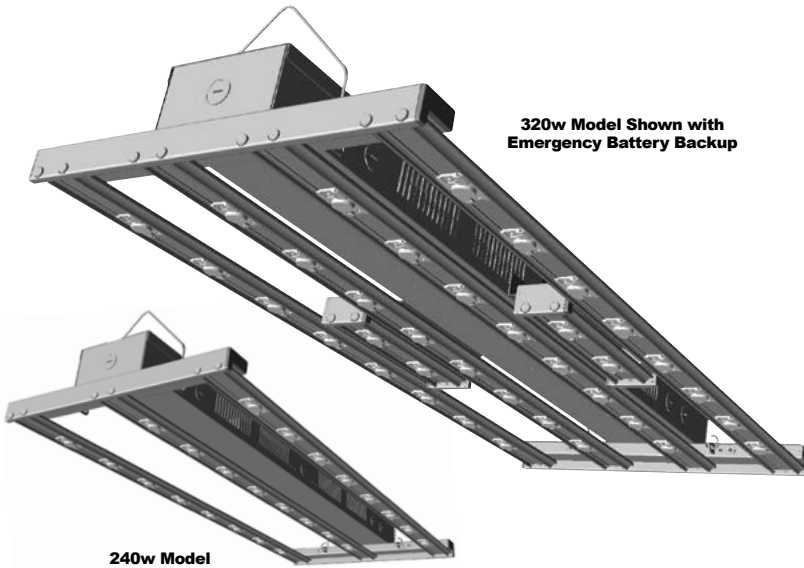


AIHBLC3
Linear LED HighBay

L70
25°C

71,000 Hours



320w Model Shown with
Emergency Battery Backup

240w Model

The low profile Atlantic AIHBLC3 Linear LED HighBay features a wide optical distribution designed to replace HID lighting systems from 250w to 1000w MH. Typical high bay lighting applications include warehouses, manufacturing facilities, gymnasiums, indoor sports facilities, and retail and big box store lighting. Suitable for 10 to 45 foot mounting heights based on light level and uniformity requirements.

Specifications and Features:

Housing:

Extruded Aluminum Rails for LEDs. The LEDs have UV-Stabilized Polycarbonate Lenses and are Potted with High Temperature Silicone Epoxy. Stamped Steel Driver Housing.

Listing & Ratings:

CSA: Listed for Dry Locations, ANSI/UL 1598, 8750; IP54

Finish:

Platinum Powdercoat Finish Over a Chromate Conversion Coating.

Mounting Options:

Mount with Included V-Hangers. Includes a 3' 3-Wire Cord with Leads.

COB LED:

Cool Copper COB

Wattage:

120w COB: 120w; System: 117w; (250w HID Equivalent)
240w COB: 200w; System: 234w; (400w HID Equivalent)
320w COB: 320w; System: 312w; (400-1000w HID Equivalent)

Driver:

Electronic Driver, 120-277V, 50/60Hz; Less Than 20% THD and PF>0.90. Standard Internal Surge Protection 6kV. 0-10V Dimming Standard for a Dimming Range of 100% to 10%; Dimming Source Current is 150 Microamps.

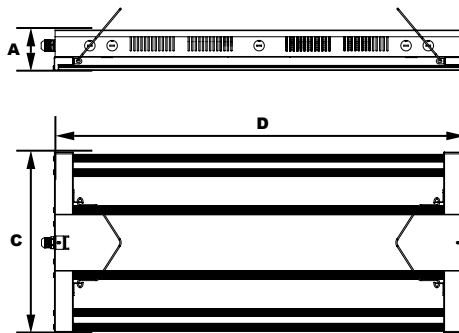
Controls:

Fixtures Ordered with Factory-Installed Photocell or Motion Sensor Controls are Internally Wired for Switching and/or 1-10V Dimming Within the Housing. Remote Direct Wired Interface of 1-10V Dimming is Not Implied and May Not Be Available, Please Consult Factory. Fixtures are Tested with Atlantic Controls and May Not Function Properly With Controls Supplied By Others. Fixtures are NOT Designed for Use with Line Voltage Dimmers.

Warranty:

5-Year Warranty for -40°C to +50°C Environment.

See Page 2 for Projected Lumen Maintenance Table



Dimensions

Height (A)	3½" (413mm)
Length (D)	36¾" (922mm)
Widths (C)	
120w	12¼" (313mm)
240w	16" (408mm)
320w	16" (408mm)

Project Information:

Project Name: _____ Fixture Type: _____

Complete Catalog #: _____ Date: _____

Comments: _____

Certification & Listings:

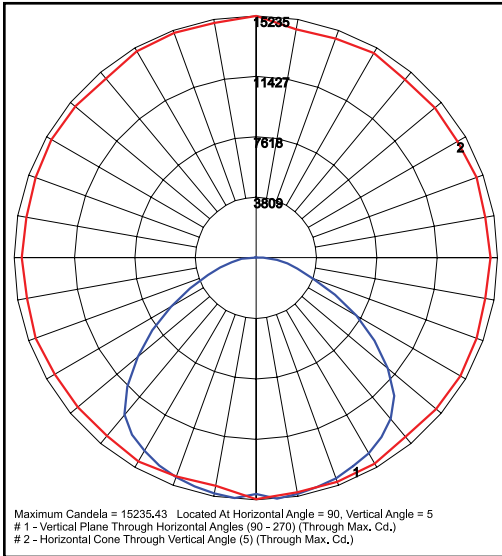


Order Information Example:

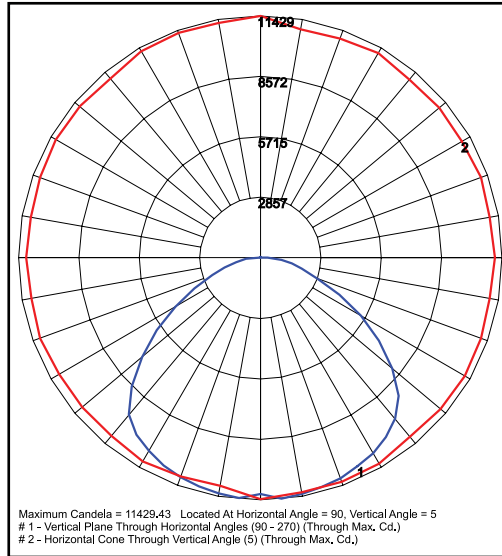
AIHBLC332X10U5KPSP

AIHBLC3		U	5K	P	
Model	Wattage	Driver	CCT	Color	Options
AIHBLC3=Linear LED HighBay	12X10=120w 24X10=240w 32X10=320w	U=120-277V	5K=5000K	P=Platinum	SF =Single Fuse* DF =Double Fuse* SP =Surge Protection M3 =Microwave Sensor for Mounting Heights of 20 Feet or Above* CP6120W =6' White Cord, 3 Wire, L5-15P Twist-Lock Plug CP6277W =6' White Cord, 3 Wire, L7-15P Twist-Lock Plug C6600B =6' Black Cord, STW, 600VAC, 3 Wire, Leads C6600W =6' White Cord, STW, 600VAC, 3 Wire, Leads C4600B =4' Black Cord, SEOW, 600VAC, 3 Wire, Leads BU =Battery Backup, 90 Minutes* BUC =Cold Start Battery Backup, -20°C, 90 Minutes* *120-277V Models Only.

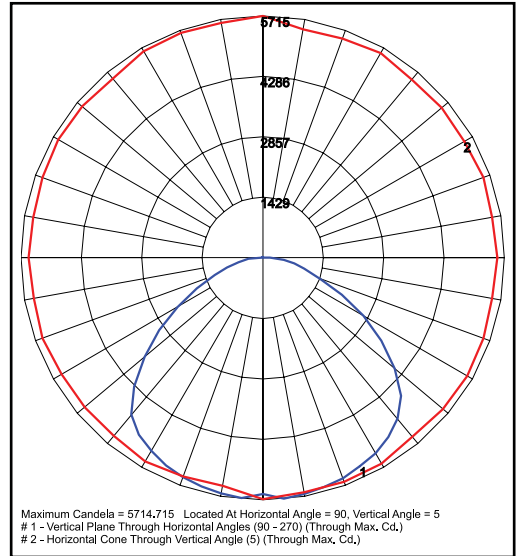
Photometric Data



AIHBLC332X10U5K



AIHBLC324X10U5K



AIHBLC312X10U5K

Photometric Performance

LED COB Watts	Drive Current (mA)	Input Watts	Optics	Spacing Criteria	5000 CCT 80 CRI	
					Lumens	LPW
COB LED 120w	265	117	Wide (100°)	1.16	16,686	143
COB LED 240w	265	234	Wide (100°)	1.16	33,372	143
COB LED 320w	525	312	Wide (100°)	1.16	44,485	143

Projected Lumen Maintenance

Data shown for 5000 CCT			Compare to MH			
TM-21-11	Input Watts	Initial	25,000 Hrs	50,000 Hrs	100,000 Hrs	Calculated LED Life
L70 Lumen Maintenance @ 25°C / 77°F	All wattages up to and including 312w	1.00	0.89	0.79	0.58	71,000
L70 Lumen Maintenance @ 50°C / 122°F		1.00	0.86	0.72	0.44	54,000
L80 Lumen Maintenance @ 40°C / 104°F		1.00	0.87	0.74	0.47	38,000

NOTES:

- Projected per IESNA TM-21-11. Data references the extrapolated performance projections for the 525mA base model in a 25°C ambient, based on 10,000 hours of LED testing per IESNA LM-80-08.
- Compare to MH box indicates suggested Light Loss Factor (LLF) to be used when comparing to Metal Halide (MH) systems.