

AILTN2

Tortuga 2 Post Top & Pendant



EPA: 1.73
Weight: 23 lbs (Max.)

Specifications and Features:

LED

- Conformal Coating LED light engine
- CCT: Amber, LPS (1800K), 2200K, 2700K, 3000K, 4000K, 5000K
- Static Colors Available - Contact Factory

Distribution

- Types II, III, IV, V

Electrical

- Electronic Driver, 120-277V, 50/60Hz or 347/480V, 50/60Hz
- 0-10v Dimmable Driver
- Standard Surge Protection Included (6kV Line-Line; 10k-V Line-Earth)

Controls (Optional)

- Button Eye Photo Control (PC)
- House Side Shield (H)

Housing

- Cast Aluminum Housing with Roof

Finish

- Super Durable Polyester Powder Coat Finish. Custom Finishes Available, Including Patinas and All RAL Colors.

Listings & Ratings

- ETL Listed to UL 1598 Standard for Wet Location and IP66.
- LED is IP66 Rated

Warranty

- 5 Year Limited Warranty

Project Information:

Project Name:	Fixture Type:
Complete Catalog #:	Date:
Comments:	

Certification & Listings:

Specifications subject to change without notice. Rev. 021022

Order Information Example:		AILTN2FA50W4KU5JNNBK						
AILTN2								
Model	Globe/Lens	LED Module	Voltage	Distribution	Final	Mounting	Options	Finish
AILTN2=Tortuga 2 Post Top & Pendant	CA =Clear Acrylic CP =Clear Polycarbonate FA =Frosted Acrylic FP =Frosted Polycarbonate TG =Clear Flat Tempered Glass FG =Frosted Flat Tempered Glass WA =White (Opal) Acrylic PA =Pattern Acrylic DA =Seeded Acrylic	See Lumen Output Chart	U =120-277V H =347/480V	2 =Type II 3 =Type III 4 =Type IV 5 =Type V	J =GF10 (Standard) B =GF2 C =GF3 D =GF4 F =GF6 H =GF8 I =GF9, K =GF12 O =GF17 P =GF18 V =GF24 N =None	N =None (Standard Post Top) WM =Wall Mount PEN2 =Pendant Mount For Chain Hanging PEN3 =Pendant Mount For Stem Hanging	PC =Button Eye Photo Control H =House Side Shield N =None	STANDARD FINISHES BK =Black BZ =Bronze DBZ =Dark Bronze WH =White GR =Green SM =Silver Metallic GY =Light Gray TBK =Textured Black* CC =Custom Color (Consult Factory) *Matches Atlantic B-Black Finish

Lumen Output

Lumen Output for Tortuga 2 Initial Lumen Data						
CCT	LED Module	Input Watts	Type 2	Type 3	Type 4	Type 5
5K	10W5K	10	1217	1186	1204	1190
	15W5K	15	1826	1780	1806	1785
	20W5K	20	2434	2373	2408	2380
	30W5K	30	3651	3559	3612	3570
	40W5K	40	4869	4746	4817	4760
	50W5K	50	6086	5932	6021	5950
4K	10W4K	10	1175	1145	1162	1148
	15W4K	15	1762	1717	1743	1723
	20W4K	20	2349	2290	2324	2297
	30W4K	30	3524	3435	3486	3445
	40W4K	40	4698	4580	4648	4593
	50W4K	50	5873	5725	5810	5742
3K	10W3K	10	1132	1103	1120	1107
	15W3K	15	1698	1655	1680	1660
	20W3K	20	2264	2207	2240	2213
	30W3K	30	3396	3310	3360	3320
	40W3K	40	4528	4414	4479	4427
	50W3K	50	5660	5517	5599	5533
27K	10W27K	10	1098	1070	1086	1073
	15W27K	15	1647	1605	1629	1610
	20W27K	20	2196	2141	2172	2147
	30W27K	30	3294	3211	3259	3220
	40W27K	40	4392	4281	4345	4294
	50W27K	50	5490	5351	5431	5367
60W27K	60	6588	6422	6517	6441	

This chart indicates INITIAL LUMENS. Various factors will affect lumen output.



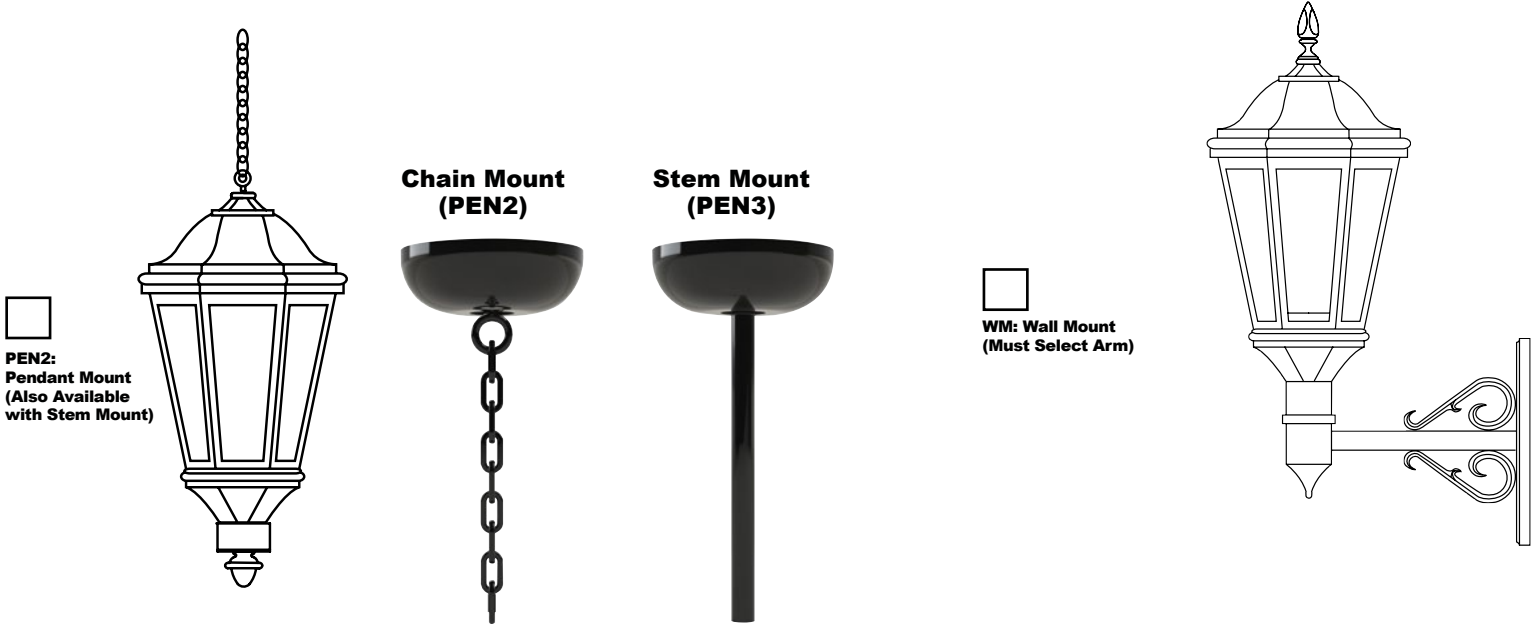
6" LED



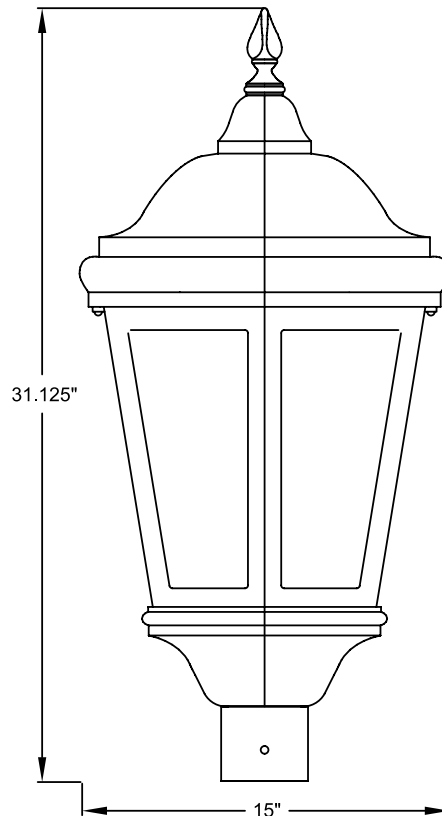
8" LED

Contact the factory for Amber, LPS and 2200K lumen output

Mounting Options



Dimensions



Fixture Finials



GF2 - 6"



GF3 - 6"



GF4 - 6"



GF5 (Plastic)
GF6 (Cast) - 4"



GF8 - 4"



GF9 - 4.25"



GF10 - 3.5"



GF12 - 2.75"



GF17 - 4"



GF18 - 2.75"



GF24 - 4.75"