

# AIP17117

## Internally Mounted Microwave Motion Sensor

The AIP17117 Microwave active motion detector with a 5.8GHz HF system provides a wide range of occupancy control for ceiling, wall and pole mounted luminaires. Motion can be detected through plastic, glass and thin non-metallic materials. The sensors provide energy savings when used in combination with 1-10V dimmable LED drivers and can be programmed for up to 3-step dimming/switching functions. The sensor offers selectable range settings for heights up to 45 feet.

### Features

- Automatic switching or dimming when used in combination with 1-10V dimmable LED drivers.
- Motion ON – Vacant OFF; Vacant – DIM then OFF; or Vacant DIM never OFF.
- Multiple vacancy and time delay settings available.
- Built-in daylight sensor that limits motion ON command when selected ambient light level is exceeded.
- Factory-Installed OPTION available in a wide variety of luminaires.
- Multiple Detection Area settings up to 45 feet mounting height and up to 50 feet in diameter.

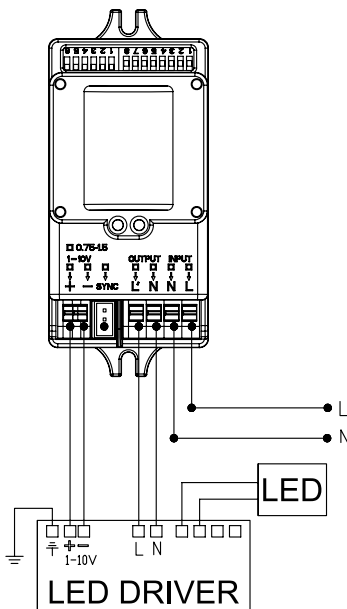


### Typical Applications



Sensor Mounts Behind Lens in AIVN55Q.

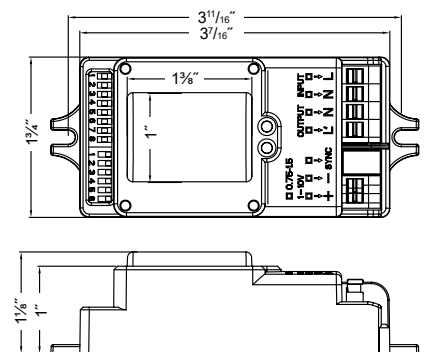
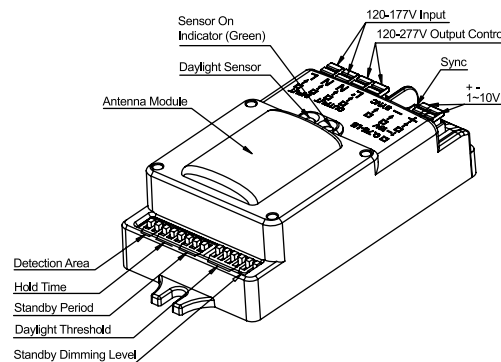
### Wiring Diagram:



### Electrical Specifications

OPERATING VOLTAGE	120~277Vac, 50Hz/60Hz
RATED CAPACITIVE LOAD	120V@400W; 220-240V@800W; 277V@1000W
HF SYSTEM	5.8GHz ± 75MHz, ISM wave band
TRANSMITTING POWER	<0.5mW
POWER CONSUMPTION	≤0.5W(Standby), <1W(Operation)
DETECTION ZONE	Max.(D x H): 50ft x 45ft
DETECTION SENSITIVITY	10% / 50% / 75% / 100%
HOLD TIME	5s / 30s / 90s / 3min / 20min / 30min
DAYLIGHT SENSOR	2lux/5lux / 10lux / 25lux / 50lux / 100lux / Disable
STAND-BY PERIOD	0s / 5s / 5min / 10min / 30min / 1h / +∞
STAND-BY DIMMING LEVEL	10% / 20% / 30% / 50%
MOUNTING HEIGHT	45 feet Max.
MOTION DETECTION	2-10 feet/s
DETECTION ANGLE	150°(Vertical), 360°(Horizontal)
OPERATING TEMPERATURE	-35°C~70°C
IP RATING	IP20

### Features and Dimensions



Specifications subject to change without notice. Rev. 102320

# AIP17117

## Internally Mounted Microwave Motion Sensor

### Programming Settings

ON ↑ 		1	2	
	I	ON	ON	100%
	II	ON	-	75%
	III	-	ON	50%
IV	-	-	10%	

#### Detection area

Detection area can be adjusted by selecting the combination on the DIP switches to fit coverage for each application.

ON ↑ 		3	4	5	
	I	ON	ON	ON	5s
	II	-	ON	ON	30s
	III	ON	-	ON	90s
	IV	-	-	ON	3min
	V	ON	ON	-	20min
VI	-	-	-	30min	

#### Hold time

Refers to the time period the luminaire remains at 100% illumination after vacancy (no motion detected).

ON ↑ 		6	7	8	
	I	ON	ON	ON	0s
	II	-	ON	ON	5s
	III	ON	-	ON	5min
	IV	-	-	ON	10min
	V	ON	ON	-	30min
	VI	-	ON	-	1h
VII	-	-	-	+∞	

#### Stand-by period

Refers to the time period the luminaire remains at a low light level before it completely switches off if no motion is detected (Vacant – DIM to OFF mode). When set to "+∞" mode, the low light is maintained until motion is detected. (Vacant – Never OFF mode).

ON ↑ 		1	2	3	4	
	I	-	-	ON	ON	2Lux
	II	-	-	-	ON	5Lux
	III	-	ON	ON	-	10Lux
	IV	-	-	ON	-	25Lux
	V	-	ON	-	-	50Lux
	VI	ON	-	-	-	100Lux
VII	-	-	-	-	Disable	

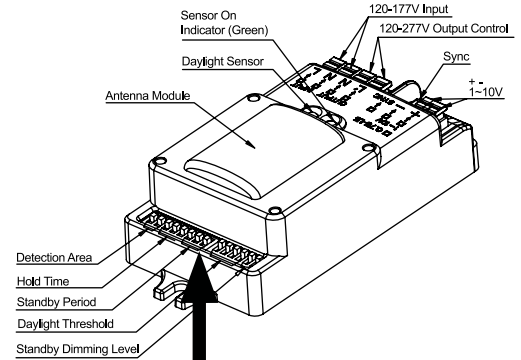
#### Daylight sensor – BLOCKS Motion ON Command when light is present

The sensor can be set to only allow the luminaire to execute a Motion ON Command below a defined ambient brightness threshold. When set to disable mode, the motion sensor will execute ON Command when motion is detected regardless of ambient light level. SETTINGS: 50lux, 30lux: twilight operation, 10lux, 5lux: darkness operation only. Note that daylight sensor is NOT an ON-OFF device.

ON ↑ 		5	6	
	I	ON	ON	50%
	II	-	ON	30%
	III	ON	-	20%
IV	-	-	10%	

#### Stand-by dimming level

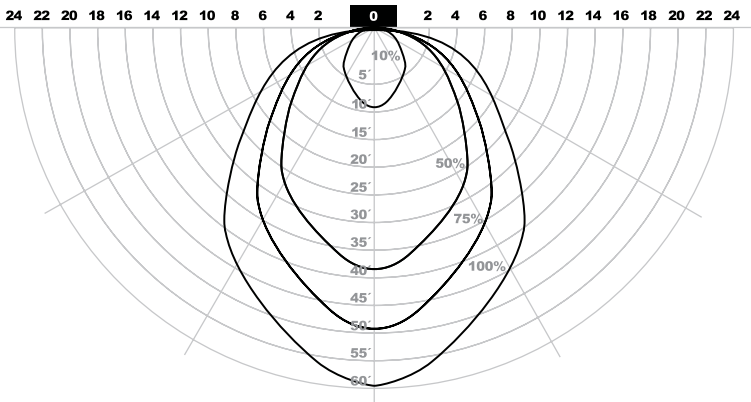
The low light level selection available for the stand-by period. Available settings are 50%, 30%, 20% and 10%.



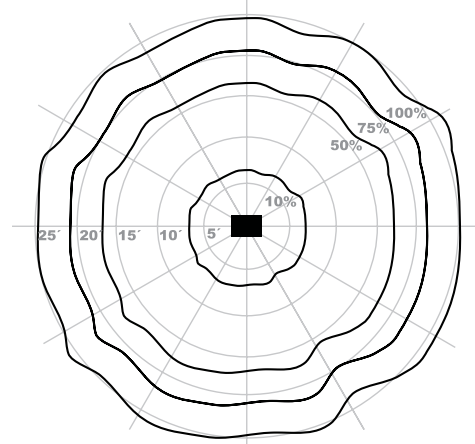
**Programming Dip Switches**

### Detection Diagrams

**Vertical Cross-Section**



**Horizontal Distribution**



# AIP17117


## Internally Mounted Microwave Motion Sensor

### Factory-Installed AIP17117 Sensor Ordering Information

All fixtures that can accept the AIP17117 have it listed in the Options column in the fixture's specification sheet ordering matrix:

**S2:** Internal factory-installed sensor

**S23:** Factory-installed sensor using the ECACCHSG3 housing shown below



**LED Technology**

The Atlantic AIVN55Q garage luminaire with optional integral sensor is available in three wattages with an optical distribution designed to replace HID lighting systems up to 170W (HID or HPS). Typical parking garage applications include retail centers, industrial parks, schools and universities, public transit and airports, office buildings and medical facilities. Mounting heights of 8 to 16 feet can be used based on light level and uniformity requirements.

**Specifications and Features:**

**Housing:** Clear or Bronze Cast Aluminum Housing, 1" Con. Plug with O-Ring for Condull or Cover Mount. Bronze Sensor Housing with Clear-Stabilized UV-Stabilized Polycarbonate Cover. A Clear Cover will be Provided When a Sensor is Ordered.

**Listing & Ratings:** ANSI, UL, ETL, IES, ENEC, CE, FCC, RoHS, PSE, SAA, IEC, and other international listings. (ULP Locations When Used with AIVN55Q, PSE Sealed LED Component.)

**Finish:** Textured Architectural Bronze or White Powdercoat Finish Over a Chrome Conversion Coating. Custom Colors Available Upon Request.

**Lens:** Molded UV-Stabilized Acrylic Optical Lens Designed for Garage Lighting Applications.

**Mounting Options:** Included Easy-Hang Bracket Fits Standard 4" Electrical Box, Allowing One-Person Installation. Optional Quick-Mount/Pendant Bracket Available.


**LED:** Aluminum Boards

**Wattage:**  
30w Array, 20w System, 34-4w;  
30w Array, 20w System, 42-2w;  
48w Array, 48w System, 55w;  
65w Array, 65w System, 74-2w. (200w HID Equivalent)

**Driver:** Electronic Driver, 120/277V, 50/60Hz, 347V, 50/60Hz (30 & 37w Model Only) or 347-480V, 50/60Hz (42 & 37w Model Only). Less Than 20% THD and PF > 0.95. Standard Internal Surge Protection (SP) (5-10V Dimming Standard for a Dimming Range of 100% to 10%, Dimming Range Control is 10% Minimum).

**Controls:** Dimmers Ordered with Factory-Installed Photocell or Motion Sensor Controls are Internally Wired for Switching under 1-50V Dimming Within the Housing. Remote Direct Wired Switches of 1-20V Dimming is Not Included and Not For Available. Please Contact Factory. Fixtures are Tested with Atlantic Controls and May Not Function Properly With Controls Supplied by Others. Fixtures are NOT Designed for Use with Line Voltage Dimmers.

**Warranty:** 5-Year Warranty, 0-40°C to -40°C Environment. See Page 2 for Projected Lumen Maintenance Table.



**AIVN55Q** L70 218,000 Hours

**LED Garage Lighter**

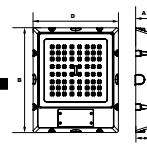
**Dimensions**

Width (D) 1 1/2" (38mm)

Length (B) 2 1/2" (63mm)

Height 1 (A) 2 1/2" (63mm)

Height 2 (C) 1 1/2" (38mm)



**Order Information Example:** AIVN55QF14680RZSP

Model	Options	Wattage	Driver	CCT	Color	Options
AIVN55Q LED Garage Lighter	F-Factory FS	180W-20w (30-34w Only) 180W-27w (42-27w Only) 180W-48w (48-27w Only) 180W-65w (65-27w Only)	120/277V E-48V E-480V	30-4000K 48-4000K 55-4000K	Clear Bronze Custom (Contact Factory)	SP-Optic Flux (120/277V Only) SP-Optic Flux (120/277V Only) SP-Optic Flux (120/277V Only) SP-Optic Flux (120/277V Only) SP-Optic Flux (120/277V Only) SP-Optic Flux (120/277V Only) SP-Optic Flux (120/277V Only) SP-Optic Flux (120/277V Only) SP-Optic Flux (120/277V Only) SP-Optic Flux (120/277V Only)

**Project Information:**

Project Name: \_\_\_\_\_ Fixture Type: \_\_\_\_\_

Complete Catalog # \_\_\_\_\_ Date: \_\_\_\_\_

Comments: \_\_\_\_\_

**Options Column**

**12802 Commodity Place • Tampa, FL 33626 • Phone: (813) 664-9700**  
For more information visit our website at [www.atlanticind.net](http://www.atlanticind.net)

## Mounting Accessories

### A1ACCHSG2

Die Cast Sensor Box with 1/2" offset stem and polycarbonate cover. Use to mount sensor to fixtures with 1/2" threaded aperture, or remote mount using 1/2" threaded conduit. See A1ACCHSG2 Specification Sheet for complete details and ordering information.

**With Clear Cover**  
(Photocell/Motion Operation)

**With Bronze Cover**  
(Motion Only Operation)

**Dimensions**

Width (D)	5 1/2" (144mm)
Depth (B)	2 1/2" (67mm)
Height 1 (A)	4" (104mm)
Height 2 (C)	5" (134mm)

### A1ACCHSG3

Bronze UV-Stabilized Polycarbonate Housing for installation of sensors. Includes sensor bracket and gasket. Automatically included when the S23 Sensor option is listed in the Options column of the fixture order matrix.

**Shown mounted to A1KH45Q**

Specifications subject to change without notice. Rev. 102320

**12802 Commodity Place • Tampa, FL 33626 • Phone: (813) 664-9700**  
For more information visit our website at [www.atlanticind.net](http://www.atlanticind.net)