

**POSEIDON™** | L70  
25°C → 72,000 Hours  
**NSF 2 • IP66 • IP69K • LINEAR TASK LIGHT**

**FOOD & BEVERAGE PROCESSING** **MANUFACTURING & DISTRIBUTION** **LIVESTOCK FARMING**

The Poseidon is designed for the harsh environments found in food processing, heavy industrial manufacturing, warehouse, and distribution facilities. The IP66 waterproof design is an ideal task light to retrofit existing linear fluorescent as well as HID high-bay fixtures.



**PERFORMANCE**

<b>Lumen Output</b>	7,500-20,000 lumens
<b>Lifespan</b>	L70> 72,000 Hours
<b>Ambient Temperature</b>	-4°F to 122°F (-20°C to 50°C)
<b>Warranty</b>	5 Years
<b>Efficacy</b>	Up to 130 LPW
<b>Power Washing</b>	Up to 1600 PSI

**ELECTRICAL**

<b>Operating Voltage</b>	120-277V
<b>Input Frequency</b>	50/60Hz
<b>Input Wattage</b>	4ft - 58W, 80W / 8ft - 80W, 160W
<b>Surge Protection</b>	2.5kV
<b>Dimming</b>	0-10V
<b>Power Input</b>	Standard 6' Yellow Cable (5-Conductor Wire to Pigtails) (Black, White, Green, Purple, Gray)

**CONSTRUCTION**

<b>IP Rating</b>	IP66
<b>IK Rating</b>	IK10
<b>Dimensions</b>	4ft - 49.41"L x 3.15"D / 8ft - 97.42"L x 3.15"D
<b>Housing</b>	Die Casted Aluminum Alloy
<b>Finish</b>	Heat Dissipating Powder Coat
<b>Lens</b>	Shatterproof Polycarbonate (Not Recommended for Alkaline Industrial Cleaners)

**OPTICAL**

<b>CRI</b>	≥80
<b>CCT</b>	4000K, 5000K
<b>Beam Angle</b>	120°

**Project Information:**

Project Name:

Complete Catalog #:

Fixture Type:

Comments:

**Certification & Listings:**



**NSF 2 – Food Splash Zone**

An ETL Sanitation Mark on Food Service Equipment indicates that equipment is tested to ANSI/NSF 2 is fit for use in the production of food intended for human consumption, or the equipment is fit for use in an environment where food intended for human consumption is produced.



We have custom and standard manufacturing options. Use this form to build your part number or reach out to our sales team for assistance.

**GET YOUR PRODUCTS FASTER WITH OUR QUICK SHIP PROGRAM**

Multiple USA locations = 98-3-1 Quick Ship Program  
98% Fill Rate – 3 Day Lead Time – 1 Piece Minimum Order

**Order Information Example: AIPSN4F80WUNV50K**

AIPSN				UNV	
Model	Length	Wattage		Voltage	CCT
AIPSN=Poseidon Linear Trask Light	4F=4 Foot	4 Foot	8 Foot	UNV=120-277v	40K=4000K 50K=5000K
	8F=8 Foot	58W=58w 80W=80w	80W=80w 160W=160w		

**Options & Accessories**

**Accessories (Order Separately)**

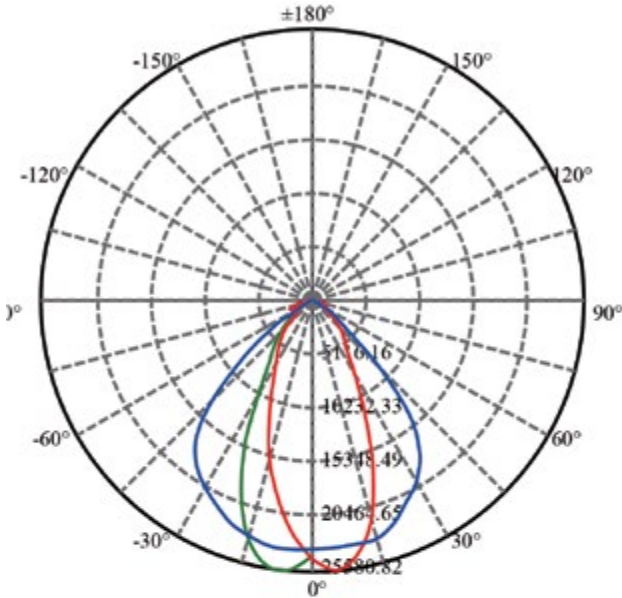
Plugs	Description
WM	Wall Mount Bracket
P3	3pin Mini Connector Male Plug
5P	120v Plug
L7P	Locking 277v Plug

Specifications subject to change without notice. Rev. 070522

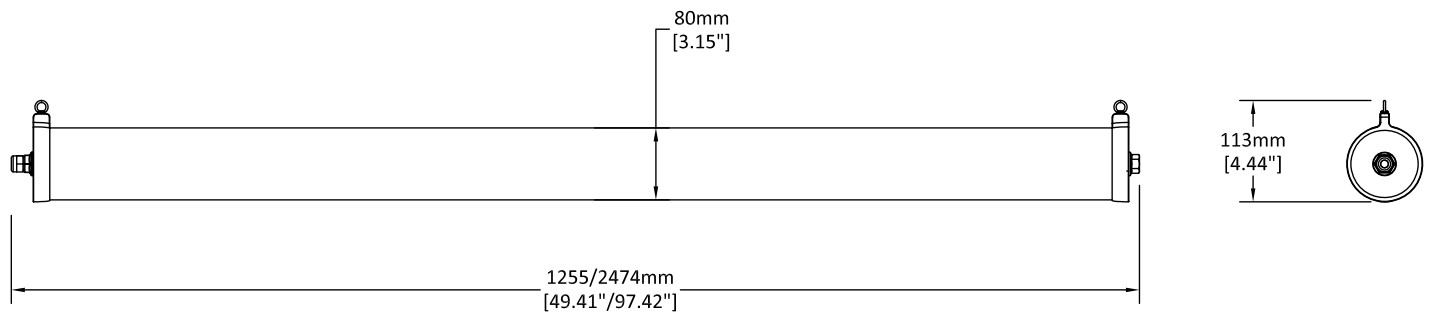
**Poseidon Characteristics**

Lumen Package	Wattage		Amp Draw		Dimensions		Diameter with Ring Mount	Comparable Light Source
	120V	277V	120V	277V	Length	Diameter		
7,500 L	60	58	0.50	0.22	49.41"	3.15"	4.4"	2 Lamp T8 Vapor
10,000 L	80	78	0.68	0.30	49.41"	3.15"	4.4"	4 Lamp T8 Vapor, 2 Lamp T5 HO Vapor
10,000 L	80	78	0.68	0.30	97.42"	3.15"	4.4"	2 Lamp 8' T8 Vapor
20,000 L	160	157	1.35	0.60	97.42"	3.15"	4.4"	4 Lamp 8' T5 HO Vapor

**Poseidon Distribution Diagram**



**Dimensional Data**



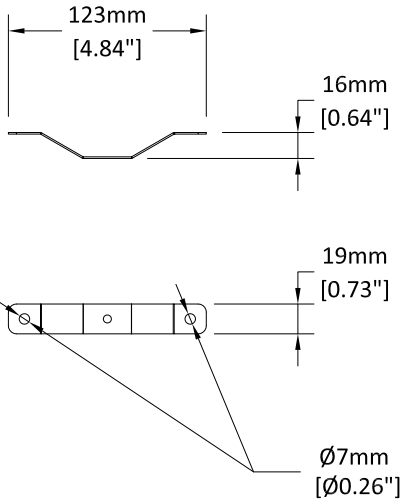
Specifications subject to change without notice. Rev. 070522

**Mounting Options**

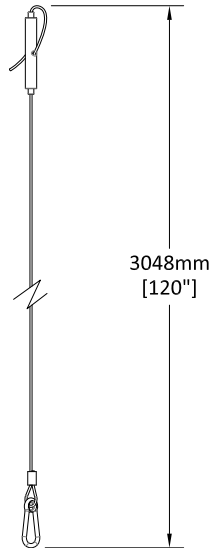
Surface Bracket and Adjustable Cables included with all Poseidon fixtures



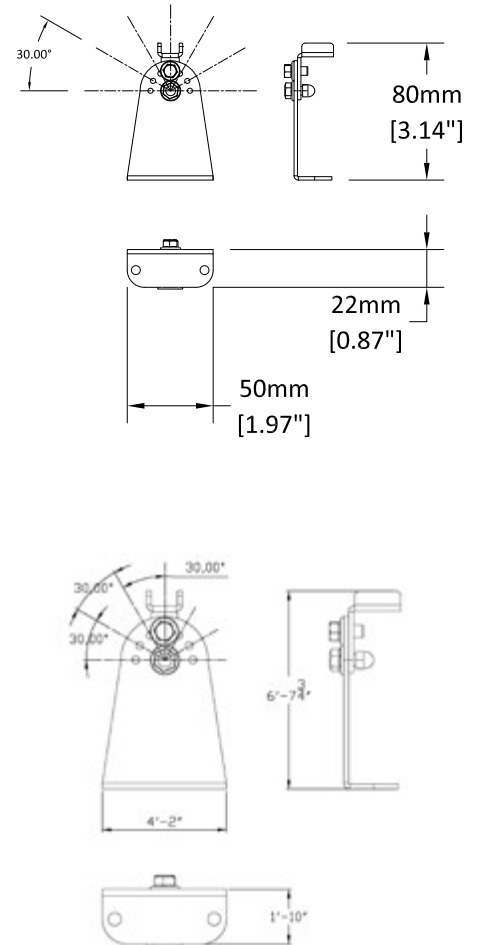
**Surface Bracket**  
(2 Each Included)



**Adjustable Cable**  
(2 Each Included)



**Wall Mount Bracket**  
(Order Separately)



Specifications subject to change without notice. Rev. 070522