

# AIRWA932

## Roadway Arms



### Specifications and Features:

#### Specifications

Arms Are Constructed of Cast Aluminum.

#### Mounting (Chosen When Ordering the Pole)

- Tall Tenon (3"x5.5" - Atlantic's T355) for a Step Transition; or,
- Sleeve (Atlantic's SLV) for a Smooth Transition

#### Arm Orientation

Standard Double Arm Orientation is 180° and Standard Quadruple Arm Orientation is 90°. For Custom Orientation, Please Contact the Factory.

#### Finish

Super Durable Polyester Powder Coat Finish. Custom Finishes Available, Including Patinas and All RAL Colors.

#### Warranty

5 Year Limited Warranty

#### Finial Choice (adder)

Finial Choice (adder)



PF1



PF2



PF3



PF4

**Order Information Example:** AIRWA932SGMPENSCRBK

AIRWA932		PM	PEN		
# of Arms	Arm Mount	Fixture Mount	Options	Finish	
SG=Single DB=Double QU=Quadruple	PM=Post/Pole Mount	PEN=Pendant Mount	N=None SCR=Scroll PF1=PF1 Finial PF2=PF2 Finial PF3=PF3 Finial PF4=PF4 Finial	STANDARD FINISHES BK=Black BZ=Bronze DBZ=Dark Bronze WH=White GR=Green SM=Silver Metallic GY=Light Gray TBK=Textured Black CC=Custom Color (Consult Factory)	

#### Project Information:

Project Name: \_\_\_\_\_ Fixture Type: \_\_\_\_\_

Complete Catalog #: \_\_\_\_\_ Date: \_\_\_\_\_

Comments: \_\_\_\_\_

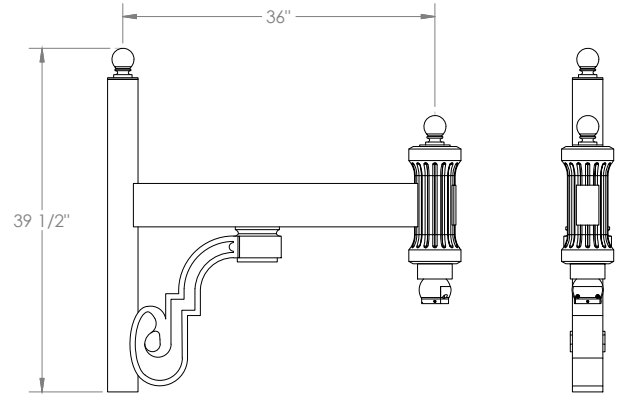
#### Certification & Listings:

Specifications subject to change without notice. Rev. 021022

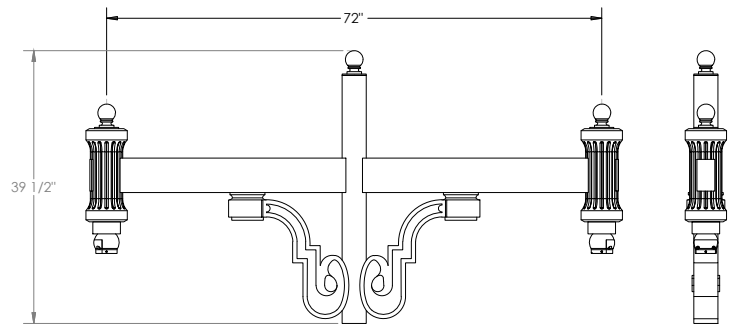
### Dimensions



**AIRWA932**  
Single Arm Mount



**AIRWA932**  
Double Arm Mount



Both Drawings Shown with Optional Scroll and Finial.