

AIRWM

Decorative Luminaire Mounting Device



AIRWM002RD



AIRWM001SQ
Shown with Optional
BA Finial (Adder)



AIRWM001SQ

Specifications and Features:

Specifications

All Mounting Devices Fit 2 $\frac{3}{8}$ " Horizontal Oriented Arms Attached with Six 1 $\frac{1}{4}$ "-20 Set Screws. Mounting Devices (Knuckles) Are Used as Levelers for Pendant Mounted Luminaires.

Options (for AIRWM001 & AIRWM002 Only)

- 3-Pin Twist-Lock Receptacle (PCR3). Sensor by Others.
- 7-Pin Twist-Lock Receptacle (PCR7). Sensor by Others.
- Finial

Order Information Example:

AIRWMA001SQNNBK

Models	Finial	Options	Finish
AIRWM001SQ =Square AIRWM002RD =Round AIRWM003CF =Round Casting with Integrated Finial	N =None BA =Ball Finial* AC =Acorn Finial* *AIRWM001 & AIRWM002 Only	N =None PCR3 =3-Pin Twist-Lock Receptacle* PCR7 =7-Pin Twist-Lock Receptacle* *AIRWM001 & AIRWM002 Only Photozell Not Included.	STANDARD FINISHES BK =Black BZ =Bronze DBZ =Dark Bronze WH =White GR =Green SM =Silver Metallic GY =Light Gray TBK =Textured Black* CC =Custom Color (Consult Factory) *Matches Atlantic B-Black Finish

Project Information:

Project Name: _____ Fixture Type: _____

Complete Catalog #: _____ Date: _____

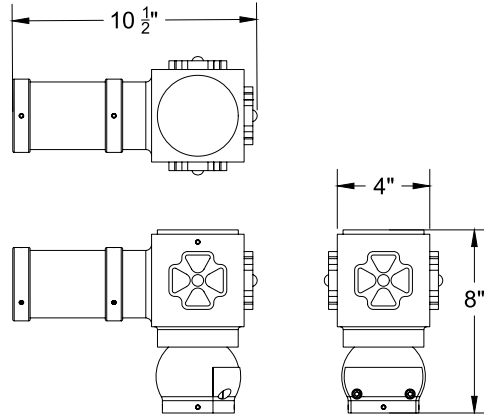
Comments: _____

Certification & Listings:

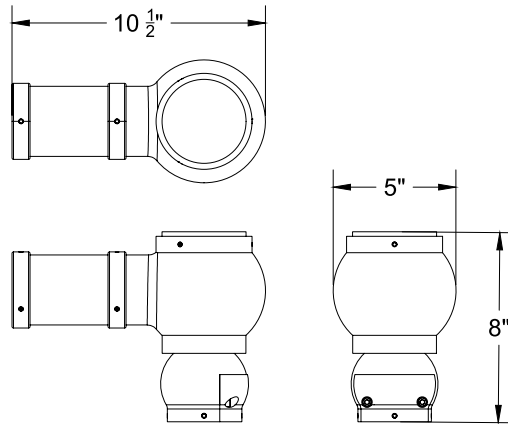
Dimensions



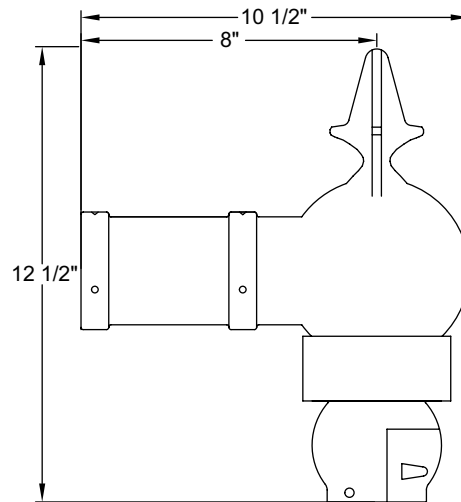
AIRWM002RD



AIRWM001SQ



AIRWM001SQ
Shown with Optional BA
Finial (Adder)



AIRWM003-CF