

AITV2C3

L70
25°C **76,000 Hours**

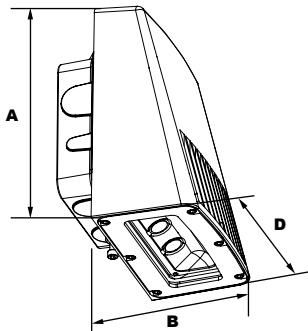
Small 2Gen LED Slimline Flood and Wall Pack



Shown with "KN" Knuckle Installed.

Dimensions

Width (D)	6" (152mm)
Height (A)	7 7/8" (200mm)
Length (B)	5 1/4" (130mm)
Length (B) with Knuckle	9 1/4" (235mm)



The Atlantic AITV2 2Gen Slimline ColorLED static color cut-off wall mounted or flood light luminaire is available with an optional knuckle mounting feature and in two wattages designed to provide accent colored light using Blue, Green, Red or Amber COB LEDs. Typical lighting applications include retail centers, industrial parks, schools and universities, public transit and airports, office buildings and medical facilities. Mounting can be accomplished using ground attachment accessories and to heights of 12 feet based on light level and uniformity requirements.

Specifications and Features:

Housing:

Die-Cast Gasketed Aluminum Housing, Includes Cast-In Box Template and Built in Level. White Reflector. Nickel-Plated Stainless Steel Hardware.

Listing & Ratings:

CSA: Listed for Wet Locations, ANSI/UL 1598, 8750; IP65 Sealed LED Compartment.

Finish:

Textured Architectural Bronze Powdercoat Finish Over a Chromate Conversion Coating. Custom Colors Available Upon Request.

Lens:

Tempered Clear Flat Glass Lens.

Mounting Options:

Mount Directly Over Recessed Electrical Box or use 1/2" Surface Mount Conduit. Adjustable Knuckle with 1/2" NPS Threads, Sold Separately, Field Installed.

COB LED:

ColorLED COB

Wattage:

20w COB: 20w, System: 21w; (100w HID Equivalent)
40w COB: 40w, System: 43w; (175w HID Equivalent)

Driver:

Electronic Driver, 120-277V, 50/60Hz; 347-480V, 50/60Hz or 347V, 50/60Hz; Less Than 20% THD and PF>0.90. Standard Internal Surge Protection is 2kV for 20w, 6kV for 40w. 0-10V Dimming Standard for a Dimming Range of 100% to 10%; Dimming Source Current is 150 Microamps.

Controls:

Fixtures Ordered with Factory-Installed Photocell or Motion Sensor Controls are Internally Wired for Switching and/or 1-10V Dimming Within the Housing. Remote Direct Wired Interface of 1-10V Dimming is Not Implied and May Not Be Available, Please Consult Factory. Fixtures are Tested with Atlantic Controls and May Not Function Properly With Controls Supplied By Others. Fixtures are NOT Designed for Use with Line Voltage Dimmers.

Warranty:

5-Year Warranty for -40°C to +50°C Environment.

Project Information:

Project Name:	Fixture Type:
Complete Catalog #:	Date:
Comments:	

Certification & Listings:



Order Information Example:			AITV2C32X20UBLKZSP				Shipped from Tampa location only	
AITV2C3								
Model	Wattage	Driver	CCT	Color	Mounting	Options		
AITV2C3=Small 2Gen LED Slimline Flood and Wall Pack	2X10=20w 2X20=40w	U=120-277V H=347-480V C=347V* *2x20w only	BL=Blue GR=Green RD=Red AM=Amber	Z=Bronze C=Custom (Consult Factory)	KN=Knuckle* *Optional, field installed. Order only for flood model.	SF=Single Fuse* DF=Double Fuse* SP=Surge Protection P14=Pencil Photocell, 120-277VAC *120-277V Models Only.		

EPA (Effective Projected Area)

Configuration	EPA (Sq. Ft.)	Weight (Lbs.)
 1	.31	5 Lbs

Accessories & Replacement Parts:

Mounting Accessories (Order Separately, Field Installed)

AIFLPTFZ	Die-cast Post Top Fitter for 2½" to 3½" Poles, Bronze Powdercoat Finish, Three (3) ½" Coin Plugs.
AIFLSTK	Heavy Duty Ground Stake, Built-in Wiring Compartment with ½" NPS Threaded Fitting, Black Plastic.
AIFLSTZ	Die-Cast Adjustable Knuckle with ½" NPS Threads, Bronze Powdercoat Finish.



*Shown Mounted

Accessories (Order Separately, Field Installed)

AIP18110	110-130V, 120VAC Pencil Photocell
AIP18112	208-277V, 240VAC Pencil Photocell
AITV2BFZ	Baffle, Aluminum with Bronze Powdercoat Finish



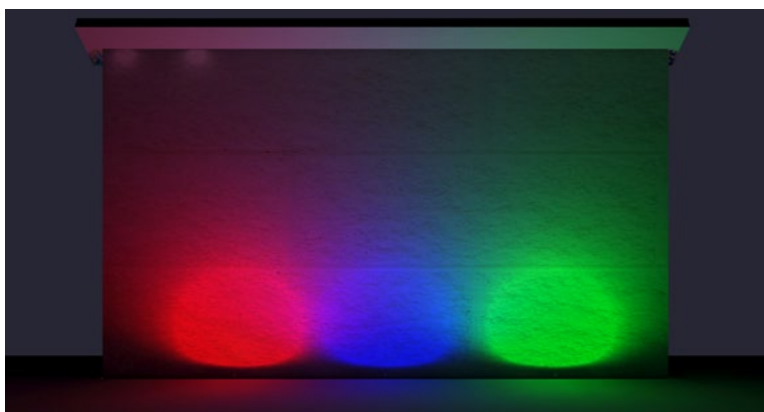
AIP18110 & AIP18112 AITV2BFZ

Replacement Parts (Order Separately, Field Installed)

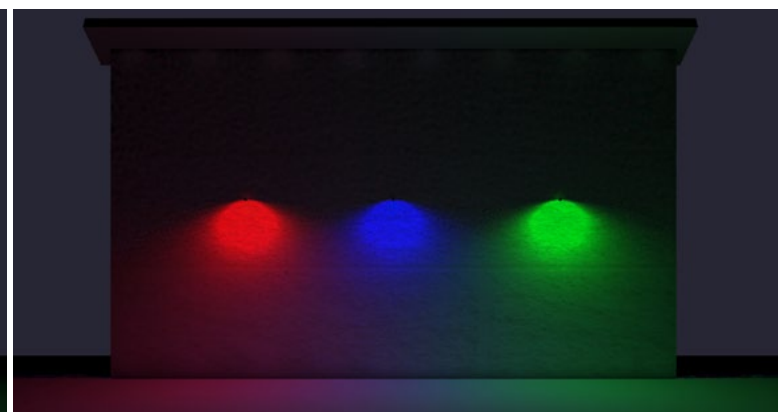
AIP18114	120-277V, 50/60Hz Pencil Photocell
----------	------------------------------------



AIP18114



Ground Mount Flood



Wall Mount Cutoff

Distributions

LED COB Watts	Input Watts	Flood Beam	Wall Mount
COB LED 21w	21	110°H x 100°V, NEMA 7H x 6V	Type III
COB LED 43w	43	100°H x 90°V, NEMA 7H x 6V	Type II

Specifications subject to change without notice. Rev. 120220