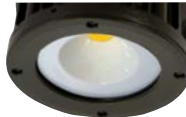


AIWCTRD | **L70**
25°C | **89,000 Hours**

2Gen LED Up/Down Wall Cylinder



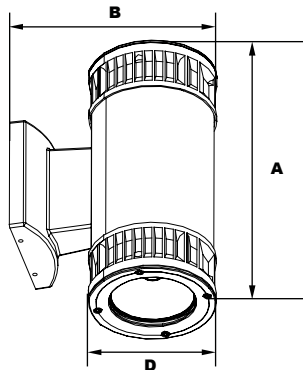
Shown with "B" Wide Optic



Shown with "A" Medium Optic



Shown with "D" Narrow Optic



Dimensions

Diameter (D)	5 1/4" (146mm)
Length (B)	8 3/4" (226mm)
Height (A)	12 1/2" (316mm)

The Atlantic AIWCTRD 2Gen ColorLED static color architectural wall cylinder provides up AND down lighting with narrow, medium and wide distributions designed to provide accent colored light using Blue, Green, Red or Amber COB LEDs. Typical wall mounted lighting applications include retail centers, industrial parks, schools and universities, public transit and airports, office buildings and medical facilities. Mounting heights of 8 to 16 feet can be used based on light level and uniformity requirements.

Specifications and Features:

Housing:

Extruded Round Aluminum Housing with Built-in Heat Sinks.

Listing & Ratings:

CSA: Listed for Wet Locations, ANSI/UL 1598, 8750; IP66 Sealed LED Compartment.

Finish:

Textured Architectural Bronze or Black Powdercoat Finish Over a Chromate Conversion Coating. Custom Colors Available Upon Request.

Lens:

Tempered Clear Flat Glass Lenses

Reflector:

Wide, Medium and Narrow Distributions

Mounting Options:

Mount Over a 4" Recessed Outlet Box.

COB LED:

ColorLED COB

Wattage:

COB: 40w, System: 40w; (100w HID Equivalent)

Driver:

Electronic Driver, 120-277V, 50/60Hz or 347-480V, 50/60Hz; Less Than 20% THD and PF>0.90. Standard Internal Surge Protection 6kV. 0-10V Dimming Standard for a Dimming Range of 100% to 10%; Dimming Source Current is 150 Microamps.

Controls:

Fixtures Ordered with Factory-Installed Photocell or Motion Sensor Controls are Internally Wired for Switching and/or 1-10V Dimming Within the Housing. Remote Direct Wired Interface of 1-10V Dimming is Not Implied and May Not Be Available, Please Consult Factory. Fixtures are Tested with Atlantic Controls and May Not Function Properly With Controls Supplied By Others. Fixtures are NOT Designed for Use with Line Voltage Dimmers.

Warranty:

5-Year Warranty for -40°C to +50°C Environment.

Project Information:

Project Name: _____ Fixture Type: _____

Complete Catalog #: _____ Date: _____

Comments: _____

Certification & Listings:



Order Information Example:		AIWCTRDAC32X20UBLZSP			Shipped from Tampa location only		
AIWCTRD		C3	2X20				
Model	Optics	LED	Wattage	Driver	CCT	Color	Options
AIWCTRD= 2Gen LED Up/Down Wall Cylinder	A =70° Up/70° Down B =100° Up/100° Down C =70° Up/100° Down D =30° Up/30° Down E =30° Up/100° Down F =30° Up/70° Down G =100° Up/30° Down H =100° Up/70° Down I =70° Up/30° Down	C3=LED COB	2X20=40w	U =120-277V H =347-480V	BL =Blue GR =Green RD =Red AM =Amber *Contact Factory for Custom Color/White COB Combinations	Z =Bronze B =Black C =Custom (Consult Factory)	SF =Single Fuse* DF =Double Fuse* SP =Surge Protection PC3 =Photocell, 120-277VAC BU =Battery Backup, 90 Minutes* BUC =Cold Start Battery Backup, -20°C, 90 Minutes* *120-277V Models Only.

Accessories & Replacement Parts:

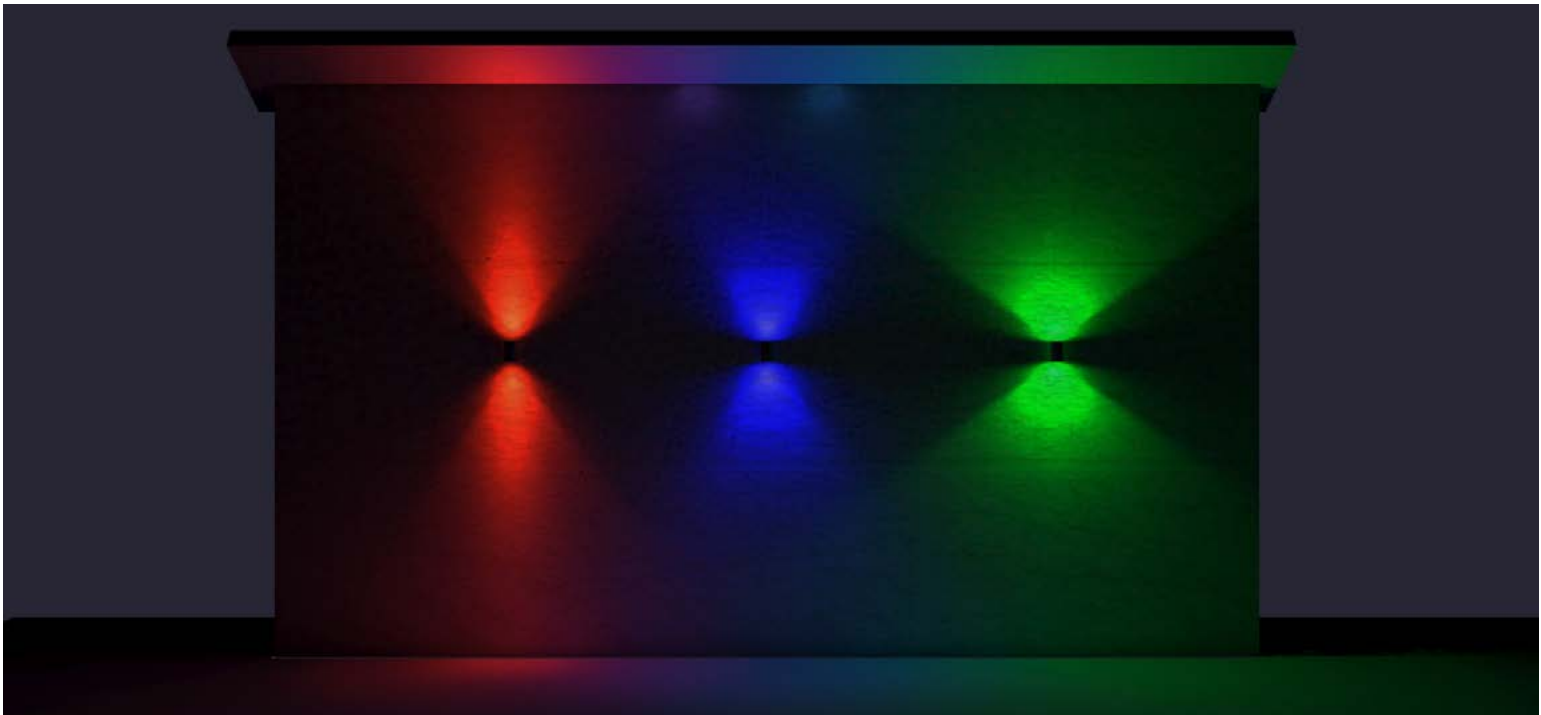
Replacement Parts (Order Separately, Field Installed)

AIP18103 120-277VAC Photocell

For Replacement Battery Backup, see the Atlantic LED Battery Backup Specification Sheet.



AIP18103



Narrow/Narrow "D" Optic

Medium/Medium "A" Optic

Wide/Wide "B" Optic

Distributions

LED COB Watts	Input Watts	Beam	
LED COB 40w	40	A	Medium
		B	Wide
		D	Narrow

Specifications subject to change without notice. Rev. 032321