

AIWMP11

Contemporary Arms

Specifications and Features:

Specifications

Atlantic's Contemporary Arms are Constructed From Aluminum Sand Castings. Castings are Welded and Heat Treated, After Weld, to a T6 Hardness for Maximum Strength.

For all **Wall Mounted Arms**, Back Plates Are Not Predrilled at the Factory. This Allows Installation Contractors the Ability to Match Mounting Holes (By Contractor) to Specified Mounting Surfaces.

For **Post/Pole Mounted Arms**, a Standard 3" x 5½" Tenon is Required (Atlantic's T355).

Arm Orientation

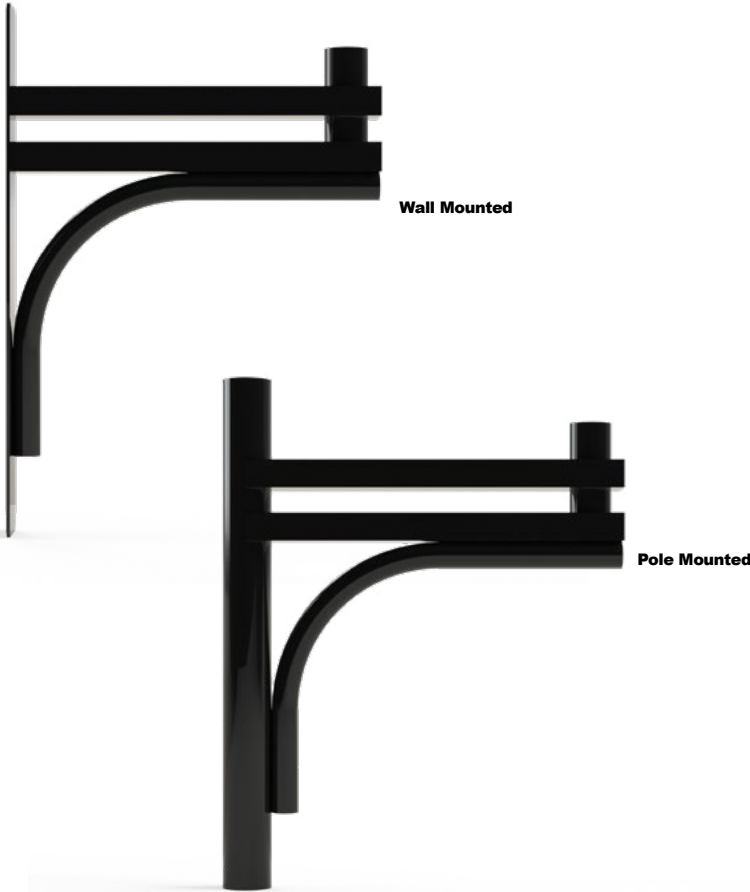
Standard Double Arm Orientation is 180°. For Custom Orientation, Please Contact the Factory.

Finish

Super Durable Polyester Powder Coat Finish. Custom Finishes Available, Including Patinas and All RAL Colors.

Warranty

5 Year Limited Warranty



Order Information Example: AIWMP11SGPMNTENBK

AIWMP11	# of Arms	Arm Mount	Arm Position	Fixture Mount	Finish
	SG =Single DB =Double	PM =Post/Pole Mount WM =Wall Mount	N =Not Inverted INV =Inverted	TEN =Tenon Mount PEN =Pendant Mount	STANDARD FINISHES BK =Black BZ =Bronze DBZ =Dark Bronze WH =White GR =Green SM =Silver Metallic GY =Light Gray TBK =Textured Black* CC =Custom Color (Consult Factory) *Matches Atlantic B-Black Finish

Project Information:

Project Name: _____ Fixture Type: _____

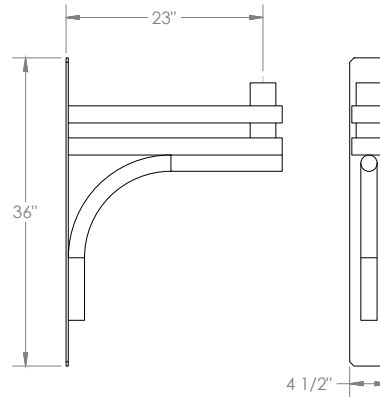
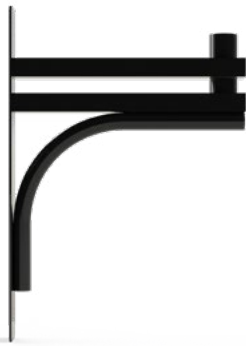
Complete Catalog #: _____ Date: _____

Comments: _____

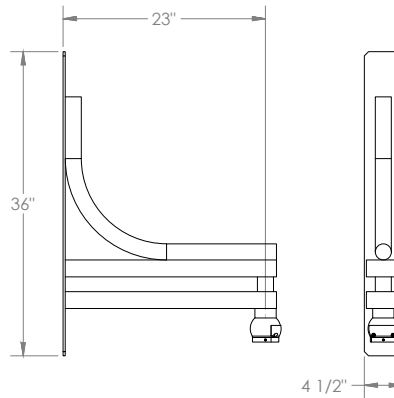
Certification & Listings:

Specifications subject to change without notice. Rev. 021022

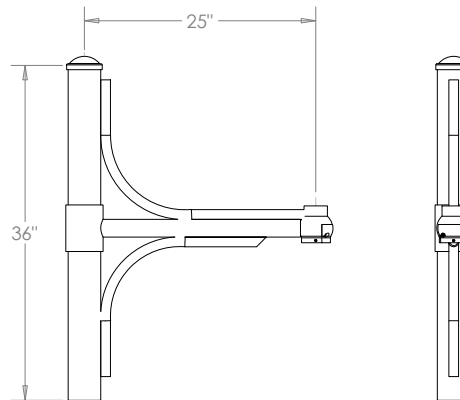
Dimensions



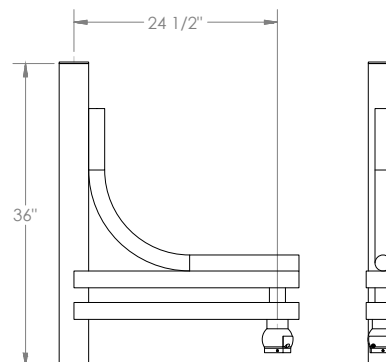
AIWMPC11SGWMINVTEN
EPA: 1.0
Weight Load: 65 lbs (Max.)



AIWMPC11SGWMPEN
EPA: 1.0
Weight Load: 65 lbs (Max.)

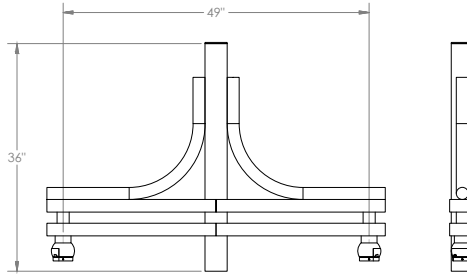


AIWMPC11SGPMINVTEN
EPA: 1.2
Weight Load: 65 lbs (Max.)

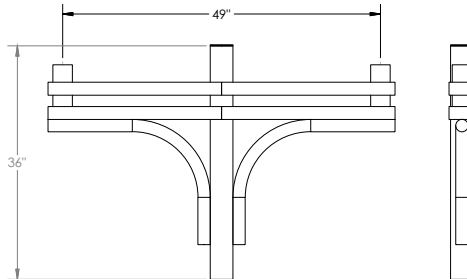


AIWMPC11SGPMPEN
EPA: 1.2
Weight Load: 65 lbs (Max.)

Dimensions



AIW MPC11 DBPMNPEN



AIW MPC11 DBPMINVTEN