

AIWMPC14

Contemporary Arms



AIWMPC14 Single Post Mount
EPA: 0.7
Weight Load: 65 lbs (Max.)



AIWMPC14 Double Post Mount
EPA: 0.9
Weight Load: 65 lbs Per Arm (Max.)

Specifications and Features:

Specifications

Atlantic's Contemporary Arms are Constructed From Aluminum Sand Castings. Castings are Welded and Heat Treated, After Weld, to a T6 Hardness for Maximum Strength. These Products Include Factory Installed Rubber Grommets for Wireways, Press-On End Caps and Set Screw Shaft Mounting connections for Easy Orientation Adjustment in the Field.

For **Post/Pole Mounted Arms**, a Standard 3" x 5/2" Tenon is Required (Atlantic's T355).

Arm Orientation

Standard Double Arm Orientation is 180°. For Custom Orientation, Please Contact the Factory.

Finish

Super Durable Polyester Powder Coat Finish. Custom Finishes Available, Including Patinas and All RAL Colors.

Warranty

5 Year Limited Warranty

Order Information Example:

AIWMPC14SGPMBK

AIWMPC14	# of Arms	Arm Mount	Finish
	SG=Single DB=Double	PM=Post/Pole Mount	STANDARD FINISHES BK =Black BZ =Bronze DBZ =Dark Bronze WH =White GR =Green SM =Silver Metallic GY =Light Gray TBK =Textured Black* CC =Custom Color (Consult Factory) *Matches Atlantic B-Black Finish

Project Information:

Project Name: _____ Fixture Type: _____

Complete Catalog #: _____ Date: _____

Comments: _____

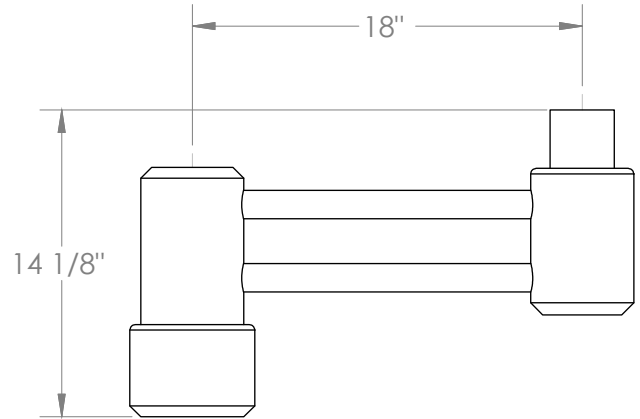
Certification & Listings:

Specifications subject to change without notice. Rev. 021022

Dimensions



AIWMPC14 Single Post Mount
EPA: 0.7
Weight Load: 65 lbs (Max.)



AIWMPC14 Double Post Mount
EPA: 0.9
Weight Load: 65 lbs Per Arm (Max.)

