

# AIW MPC16

## Contemporary Arms



**AIW MPC16 Single Post Mount**  
EPA: 1.1  
Weight Load: 65 lbs (Max.)



**AIW MPC16 Double Post Mount**  
EPA: 1.8  
Weight Load: 65 lbs Per Arm (Max.)

### Specifications and Features:

#### Specifications

Atlantic's Contemporary Arms are Constructed From Aluminum Sand Castings. Castings are Welded and Heat Treated, After Weld, to a T6 Hardness for Maximum Strength. These Products Include Factory Installed Rubber Grommets for Wireways, Press-On End Caps and Set Screw Shaft Mounting connections for Easy Orientation Adjustment in the Field.

For **Post/Pole Mounted Arms**, a Standard 3" x 5½" Tenon is Required (Atlantic's T355).

#### Arm Orientation

Standard Double Arm Orientation is 180°. For Custom Orientation, Please Contact the Factory.

#### Finish

Super Durable Polyester Powder Coat Finish. Custom Finishes Available, Including Patinas and All RAL Colors.

#### Warranty

5 Year Limited Warranty

#### Order Information Example:

AIW MPC16SGPMBK

AIW MPC16	# of Arms	PM	Finish
	<b>SG</b> =Single <b>DB</b> =Double	<b>PM</b> =Post/Pole Mount	<b>STANDARD FINISHES</b> <b>BK</b> =Black <b>BZ</b> =Bronze <b>DBZ</b> =Dark Bronze <b>WH</b> =White <b>GR</b> =Green <b>SM</b> =Silver Metallic <b>GY</b> =Light Gray <b>TBK</b> =Textured Black* <b>CC</b> =Custom Color (Consult Factory) *Matches Atlantic B-Black Finish

#### Project Information:

Project Name: \_\_\_\_\_ Fixture Type: \_\_\_\_\_

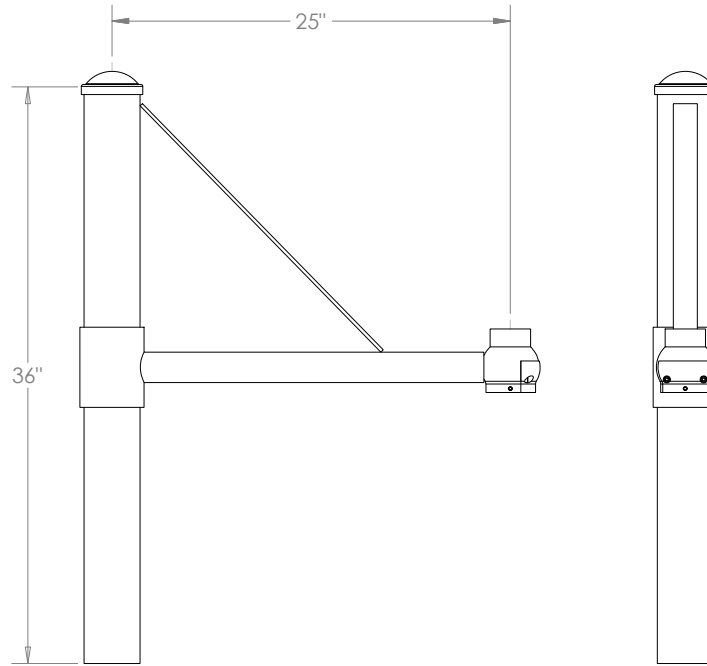
Complete Catalog #: \_\_\_\_\_ Date: \_\_\_\_\_

Comments: \_\_\_\_\_

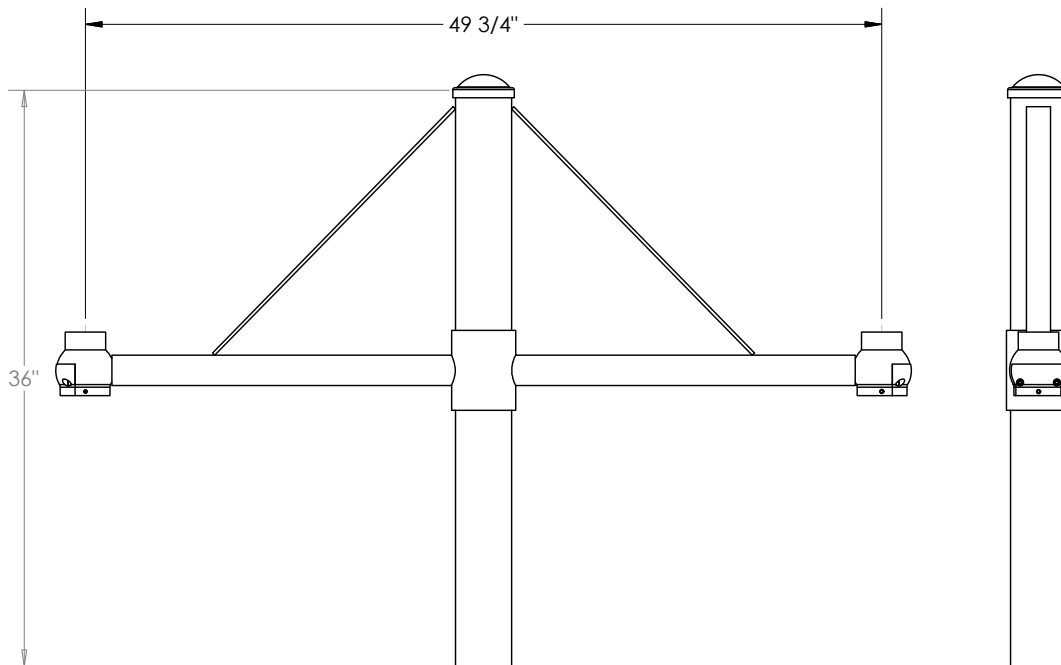
#### Certification & Listings:

Specifications subject to change without notice. Rev. 021022

**Dimensions**



**AIWMPC16 Single Post Mount**  
EPA: 1.1  
Weight Load: 65 lbs (Max.)



**AIWMPC16 Double Post Mount**  
EPA: 1.8  
Weight Load: 65 lbs Per Arm (Max.)