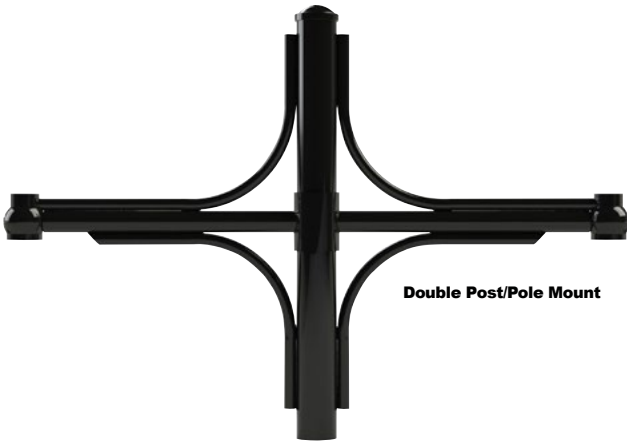


AIWMPC17

Contemporary Arms



Single Post/Pole Mount



Double Post/Pole Mount

Specifications and Features:

Specifications

Atlantic's Contemporary Arms are Constructed From Aluminum Sand Castings. Castings are Welded and Heat Treated, After Weld, to a T6 Hardness for Maximum Strength.

For **Post/Pole Mounted Arms**, a Standard 3" x 5½" Tenon is Required (Atlantic's T355).

Arm Orientation

Standard Double Arm Orientation is 180°. For Custom Orientation, Please Contact the Factory.

Finish

Super Durable Polyester Powder Coat Finish. Custom Finishes Available, Including Patinas and All RAL Colors.

Warranty

5 Year Limited Warranty

Order Information Example: AIWMPC17SGPMUEPENBK

AIWMPC17		PM		PEN	
Model	# of Arms	Arm Mount	Elbow	Fixture Mount	Finish
	SG=Single DB=Double	PM=Post/Pole Mount	UE=Upper Elbow LE=Lower Elbow ULE=Upper & Lower Elbow	PEN=Pendant Mount	STANDARD FINISHES BK=Black BZ=Bronze DBZ=Dark Bronze WH=White GR=Green SM=Silver Metallic GY=Light Gray TBK=Textured Black* CC=Custom Color (Consult Factory) *Matches Atlantic B-Black Finish

Project Information:

Project Name: _____ Fixture Type: _____

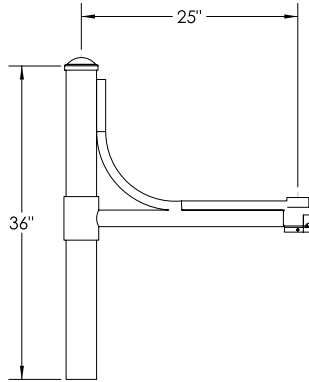
Complete Catalog #: _____ Date: _____

Comments: _____

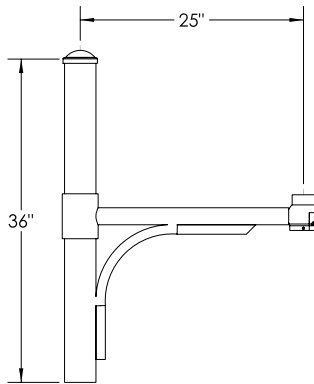
Certification & Listings:

Specifications subject to change without notice. Rev. 021022

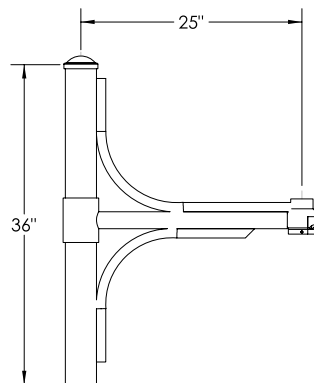
Dimensions



AIW MPC17SGPMUEPEN
EPA: 1.3
Weight Load: 65 lbs (Max.)

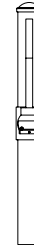
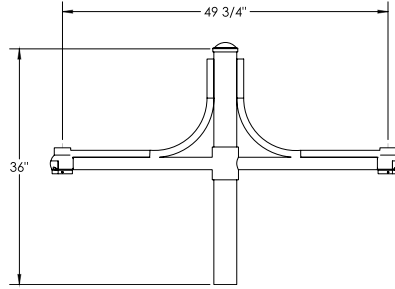


AIW MPC17SGPMLEPEN
EPA: 1.3
Weight Load: 65 lbs (Max.)

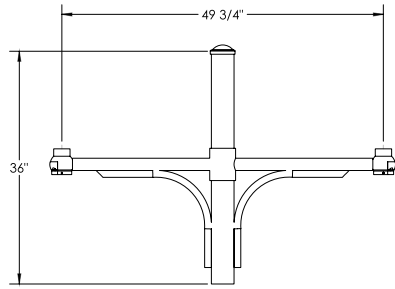
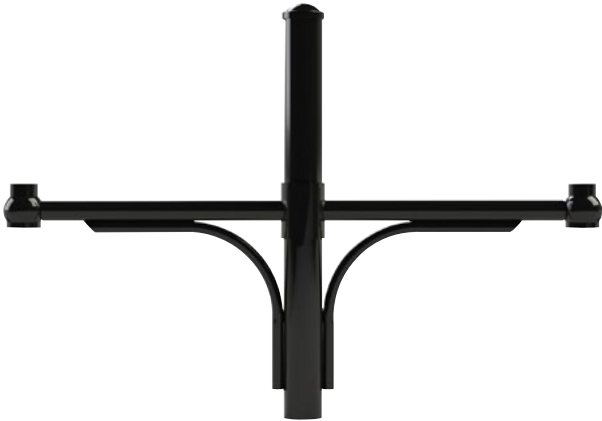


AIW MPC17SGPMULEPEN
EPA: 1.3
Weight Load: 65 lbs (Max.)

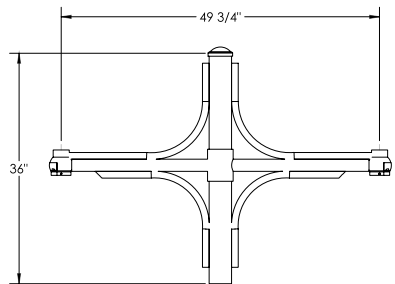
Dimensions



AIWMPC17DBPMUEPEN
EPA: 1.9
Weight Load: 65 lbs Per Arm (Max.)



AIWMPC17DBPMLEPEN
EPA: 1.9
Weight Load: 65 lbs Per Arm (Max.)



AIWMPC17DBPMULEPEN
EPA: 2.2
Weight Load: 65 lbs Per Arm (Max.)