

AIWMPC27

Contemporary Arms



Specifications and Features:

Specifications

Atlantic's Contemporary Arms are Constructed From Aluminum Sand Castings. Castings are Welded and Heat Treated, After Weld, to a T6 Hardness for Maximum Strength.

For all **Wall Mounted Arms**, Back Plates Are Not Predrilled at the Factory. This Allows Installation Contractors the Ability to Match Mounting Holes (By Contractor) to Specified Mounting Surfaces.

Finish

Super Durable Polyester Powder Coat Finish. Custom Finishes Available, Including Patinas and All RAL Colors.

Warranty

5 Year Limited Warranty

Order Information Example:

AIWMPC27SGWMBK

AIWMPC27	SG	WM	
# of Arms	Arm Mount	Finish	
SG=Single	WM=Wall Mount	STANDARD FINISHES BK =Black BZ =Bronze DBZ =Dark Bronze WH =White GR =Green SM =Silver Metallic GY =Light Gray TBK =Textured Black* CC =Custom Color (Consult Factory) *Matches Atlantic B-Black Finish	

Project Information:

Project Name: _____ Fixture Type: _____

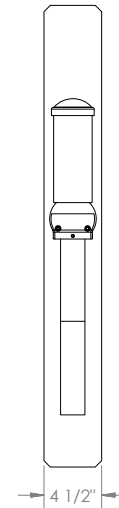
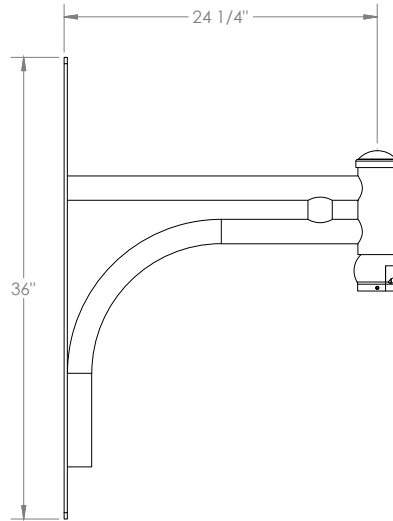
Complete Catalog #: _____ Date: _____

Comments: _____

Certification & Listings:

Specifications subject to change without notice. Rev. 021022

Dimensions



AIWMPC27 Single Wall Mount
EPA: 0.8
Weight Load: 65 lbs (Max.)