

# AIWMPD28

## Contemporary Arms



**AIWMPD28 Single Pendant Mount**  
EPA: 3.6  
Weight Load: 65 lbs (Max.)



**AIWMPD28 Double Pendant Pole Mount**  
EPA: 6.0  
Weight Load: 65 lbs Per Arm (Max.)

### Specifications and Features:

#### Specifications

Atlantic's Contemporary Arms are Constructed From Seamless Aluminum Tubing. These Products Include Factory Installed Rubber Grommets For Wireways, Press-On End Caps and Hub/Set Screw Shaft Mounting Connection for Easy Orientation Adjustment in the Field.

For **Post/Pole Mounted Arms**, a Standard 3" x 5½" Tenon is Required (Atlantic's T355).

#### Arm Orientation

Standard Double Arm Orientation is 180°. Standard Quadruple Arm Orientation is 90°. For Triple Arm Configuration or Custom Orientation, Please Contact the Factory.

#### Finish

Super Durable Polyester Powder Coat Finish. Custom Finishes Available, Including Patinas and All RAL Colors.

#### Warranty

5 Year Limited Warranty

**Order Information Example:** AIWMPD28DBPMPENBK

AIWMPD28		PM	PEN	
	# of Arms	Arm Mount	Fixture Mount	Finish
	SG=Single DB=Double	PM=Post/Pole Mount* *T355 Required on Pole	PEN=Pendant Mount	<b>STANDARD FINISHES</b> BK=Black BZ=Bronze DBZ=Dark Bronze WH=White GR=Green SM=Silver Metallic GY=Light Gray TBK=Textured Black* CC=Custom Color (Consult Factory) *Matches Atlantic B-Black Finish

**Project Information:**

Project Name: \_\_\_\_\_ Fixture Type: \_\_\_\_\_

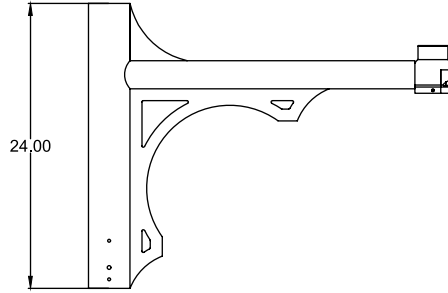
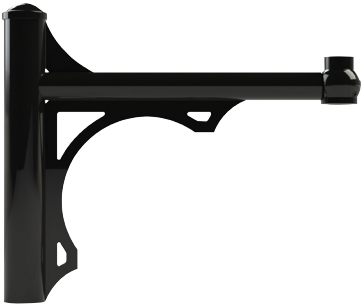
Complete Catalog #: \_\_\_\_\_ Date: \_\_\_\_\_

Comments: \_\_\_\_\_

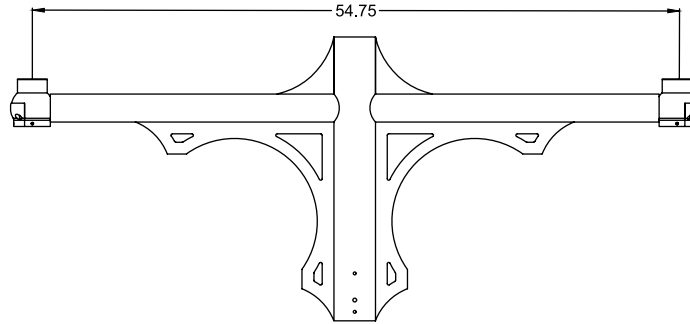
**Certification & Listings:**

Specifications subject to change without notice. Rev. 052323

### Dimensions



**Single Pendant Pole Mount**  
**AIWMPD28SGMPEN**



**Double Pendant Pole Mount**  
**AIWMPD28DBMPEN**