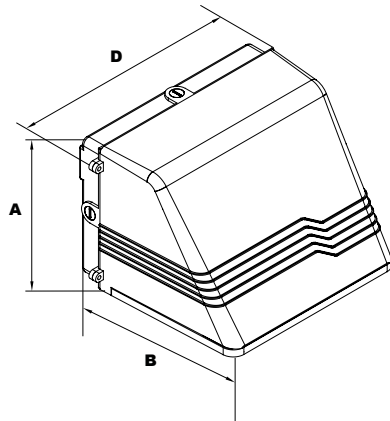


AIWPC15Q

L70
25°C **181,000 Hours**

LED LPS Replacement Medium Full Cutoff Wall Pack



Dimensions

Width (D)	14 1/4" (362mm)
Length (B)	11 3/8" (289mm)
Height (A)	9 5/8" (232mm)

Project Information:

Project Name:	Fixture Type:
Complete Catalog #:	Date:
Comments:	

The Atlantic AIWPC15Q cutoff wall pack luminaire with our **LPS Replacement PC Amber LED** array is designed to provide a direct 1-to-1 replacement for 35w Low Pressure Sodium (LPS) lighting systems. Typical wall mounted lighting applications include retail centers, industrial parks, schools and universities, public transit and airports, office buildings and medical facilities. Mounting heights of 12 to 18 feet can be used based on light level and uniformity requirements.

Specifications and Features:

Housing:

Die Cast Hinged and Gasketed Aluminum Front Frame and Housing with 1/2" Coin Plugs. Nickel-Plated Stainless Steel Hardware. Photocell Adaptable.

Listing & Ratings:

CSA: Listed for Wet Locations, ANSI/UL 1598, 8750; IP65 Sealed LED Compartment.

Finish:

Textured Architectural Bronze Powdercoat Finish Over a Chromate Conversion Coating. Custom Colors Available Upon Request.

Lens:

Tempered Clear Flat Glass Lens or Tempered Clear Flat Prismatic Glass Lens.

Mounting Options:

Cast-in Template for Mounting Directly Over a 4" Recessed Outlet Box, or Use 1/2" Surface Conduit.

LPS Replacement PC Amber LED:

Aluminum Boards. Delivers 1800K CCT and can be successfully applied on projects requiring a nominal CCT range of 1700K to 2200K CCT. See Page 2 for Spectral Chart.

Wattage:

36w Array: 40.4w; (35w SOX LPS Replacement)

Driver:

Electronic Driver, 120-277V, 50/60Hz; Less Than 20% THD and PF>0.90. Standard Internal Surge Protection 6kV. 0-10V Dimming Standard for a Dimming Range of 100% to 10%; Dimming Source Current is 150 Microamps.

Controls:

Fixtures Ordered with Factory-Installed Photocell or Motion Sensor Controls are Internally Wired for Switching and/or 1-10V Dimming Within the Housing. Remote Direct Wired Interface of 1-10V Dimming is Not Implied and May Not Be Available, Please Consult Factory. Fixtures are Tested with Atlantic Controls and May Not Function Properly With Controls Supplied By Others. Fixtures are NOT Designed for Use with Line Voltage Dimmers.

Warranty:

5-Year Warranty for -40°C to +40°C Environment.

See Page 3 for Projected Lumen Maintenance Table.

Certification & Listings:

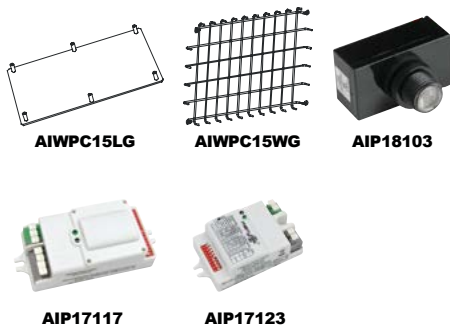


Order Information Example:

AIWPC15QF1X36UHACZSP

AIWPC15Q	F	1X36	U	HA			
Model	Optics	Wattage	Driver	CCT	Lens	Color	Options
AIWPC15Q=LPS Replacement PC Amber Medium Full Cutoff Wall Pack	F=Type V	1X36=36w	U=120-277V	HA=LPS Replacement PC Amber	C=Clear Flat Glass Lens P=Clear Flat Prismatic Glass Lens	Z=Bronze C=Custom (Consult Factory)	SF =Single Fuse* DF =Double Fuse* SP =Surge Protection PC3 =Photocell, 120-277VAC S2 =Microwave Sensor with Dimming for Mounting Heights of 8' to 40'.* S4 =Microwave On/Off Motion Sensor for Mounting Heights of 8' to 19'.* BU =Battery Backup, 90 Minutes* BUC =Cold Start Battery Backup, -20°C, 90 Minutes* *120-277V Models Only.

Accessories & Replacement Parts:

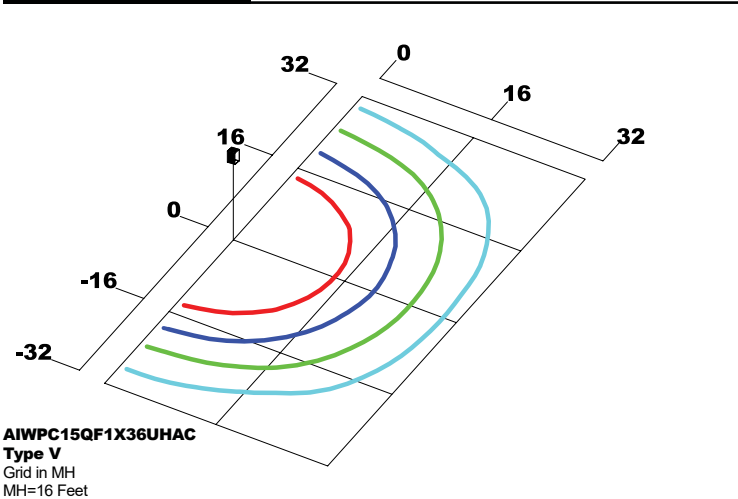


Accessories (Order Separately, Field Installed)	
AIWPC15LG	Clear UV-Stabilized Polycarbonate Vandal Resistant Guard, Includes Hardware.
AIWPC15WG	Wire Guard, Stainless Steel Construction, Includes Hardware.

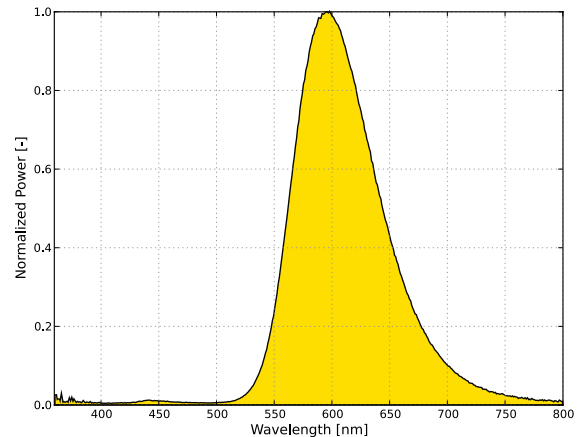
Replacement Parts (Order Separately, Field Installed)	
AIWPC15GLC	Tempered Clear Flat Glass Lens.
AIWPC15GLP	Tempered Prismatic Flat Glass Lens.
AIP18103	120-277VAC Photocell
AIP17117	Internal Microwave Sensor with Dimming for Mounting Heights of 8 to 40'. 120-277VAC, 50/60Hz
AIP17123	Internally Mounted Microwave On/Off Motion Sensor for Mounting Heights of 8' to 19', 120-277VAC, 50/60Hz

For Replacement Battery Backup, see the Atlantic LED Battery Backup Specification Sheet.

Photometric Data



Spectral Chart



LPS Replacement PC Amber LEDs provide the same visual light output as traditional Low Pressure Sodium systems, but provide substantially reduced energy and maintenance costs, and increased lifespan and lumen maintenance values.

LED LPS Replacement PC Amber: Dominant Wavelength 588.8-592.6
Low Pressure Sodium Wavelength: 589 and 589.6

Photometric Performance

LED Board Watts	Input Watts	Optics	LED LPS Replacement				
			Lumens	LPW	B	U	G
LPS Replacement 36w	40	Type V	4,343	108	2	2	0

Projected Lumen Maintenance

Data shown for LED LPS Replacement PC Amber	Compare to LPS						
	TM-21-11	Input Watts	Initial	25,000 Hrs	50,000 Hrs	100,000 Hrs	Calculated L70@ 25°C
L70 Lumen Maintenance @ 25°C / 77°F		40	1.00	0.96	0.92	0.83	181,000

NOTES:
 1. Projected per IESNA TM-21-11. Data references the extrapolated performance projections for the base model in a 25°C ambient, based on 10,000 hours of LED testing per IESNA LM-80-08.
 2. Compare to LPS box indicates suggested Light Loss Factor (LLF) to be used when comparing to Low Pressure Sodium (LPS) systems