

## Fan Series - Ceiling Fan Support Brace - AICFHB

### Specifications and Features

- Supports ceiling fans up to 70 lb., or lighting fixtures up to 90 lbs.
- Designed for new construction installation between joists or trusses
- Hang ceiling fans or fixtures between joists safely & securely
- Includes steel channel adjustable hangar bar for 16" to 24" joists
- Steel octagon electrical box with 16 cubic inch wiring capacity
- Knock-outs on sides & bottom of box for ease of wiring
- Includes strain relief



AICFHB

## Ceiling Outlet Box – AICFOB

### Specifications and Features

- Designed for new construction
- Steel electrical box – 16 cubic inch wiring capacity
- Dual purpose for ceiling fans and lighting fixtures
- Includes strain relief and ground screw

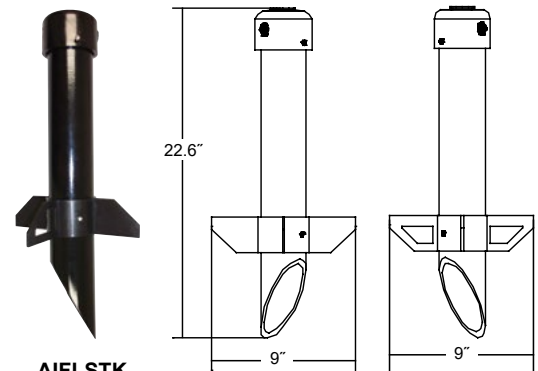


AICFOB

## Heavy-Duty Ground Stake – AIFLSTK

### Specifications and Features

- Durable molded plastic ground stake with position adjustable stabilizer
- Includes built-in wiring compartment with die cast fitting to accommodate 1/2" NPS threads
- Two 1/2" coin plugs for enclosed wiring access & two outside 1/2" coin plugs for surface & through wiring applications
- 19" tall
- Stabilizer is 9" wide
- Wiring compartment 3 1/2" diameter by 5 5/8" tall



AIFLSTK