

Glass Entry Light - AI EL10

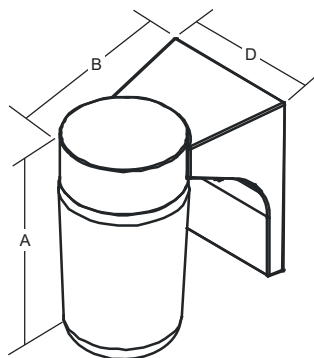


Description

The Atlantic Industrial AI EL10 Glass Entry Light offers a sleek and attractive option for building-mounted light in entrances, stairwells, and corridors. These outdoor lights provide security and ambient lighting in residential and commercial applications. With durable construction and wet location capability, these entry lights are a reliable light source for your home or business.

Specifications and Features

- **Housing:** Die cast aluminum housing, natural finish
- **Lens:** White glass globe
- **Socket:** Porcelain 4KV pulse rated medium base socket with nickel plated screw shell.
- **Mounting:** Mount over a 4" recessed electrical box.
- **Wattage:** Incandescent: 100w (Lamp not included)
- **Listing:** CSA: Listed for wet locations



A height	B length	D width
6¾"	4¾"	4½"
171mm	121mm	114mm