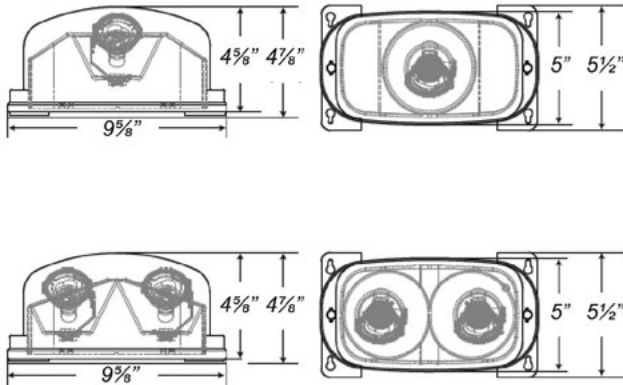


NEZRH LED Long Life Hours
LED NEMA4X/NSF Remote Heads



Dimensions



Specifications and Features:

Housing:

Housing is reinforced polycarbonate construction in white, gray or black finish. Corrosion-resistant enclosure with one piece, high-impact resistant, UV stabilized polycarbonate lens and molded gasket with stainless steel screws. Knockout's provided for conduit feed applications.

Listing & Ratings:

UL listed with approved Best Lighting Products. IP66 rated for Ingress protection. NEMA4X and NSF rated. Meets UL924, NFPA 101 Life Safety Code, NEC, OSHA, Local and State Codes. UL certified for use in food service operations.

Mounting:

Universal mounting adapter plate included with mounting hardware. Distance of maximum run is determined by system voltage, wire gauge and total maximum wattage on the run. Suitable for wall or ceiling mount.

Illumination:

Two fully adjustable, ultra bright 3.3 watt high performance MR-16 base LED lamp heads for optimized center-to-center spacing.

Electrical:

Powered from low voltage 6V/12V DC power source with low voltage wiring (not provided).

Warranty:

Five year warranty.

Fixture Compatibility:

EEXS-RC*	EZWSC-RC*	EEXSC
EELP-RC	WEZLP	SELP
NEZRH	ECLPU-RC*	WEZXSC

Reference individual unit equipment specification sheets for remote load capacity availability.

*SDT versions of the fixtures are not compatible with the NEZRH remote heads.

Order Information Example:

NEZRH1B

NEZRH			
Model	No. of Heads	Housing Color	Options
NEZRH =LED NEMA4X/NSF Remote Heads	1 =Single Head 2 =Double Head	W =White B =Black G =Gray	TP =Tamper Proof

Project Information:

Project Name: _____ Fixture Type: _____
 Complete Catalog #: _____ Date: _____
 Comments: _____

Certification & Listings:



Specifications subject to change without notice. Rev. 101322