

NEZXSC LED Long Life Hours
All LED NEMA4X/NSF Exit & Emergency Combo



Specifications and Features:

Housing:

Housing is reinforced polycarbonate construction in white or black finish. Corrosion-resistant enclosure with one piece, high-impact resistant, UV stabilized polycarbonate lens and molded gasket with stainless steel screws. Knockout's provided for conduit feed applications. EZ snap-out Chevron directional indicators.

Listing & Ratings:

Meets UL924, NFPA101 Life Safety Code, NEC, OSHA, Local and State Codes. IP66 rated for Ingress protection. NEMA4X rated. UL certified for use in food service operations. UL listed for wet locations (0°C – 50°C on 12W / 15W and 10°C - 40°C on 28W models).

Mounting:

Universal knockout pattern on back provided with gasket for watertight seal for back mount. Polycarbonate mounting canopy included for top or end mount.

Illumination:

Two fully adjustable, ultra bright 3.3 watt high performance MR-16 base LED lamp heads for optimized center-to-center spacing. Long-life, energy efficient Red or Green LED EXIT sign illumination.

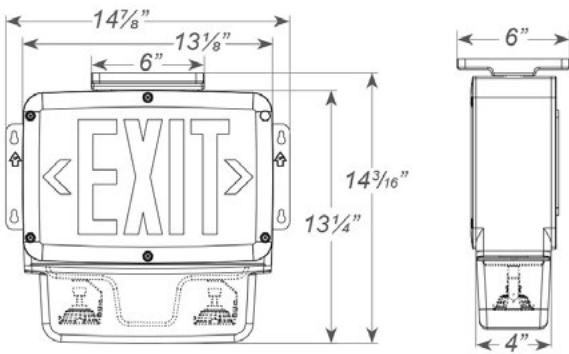
Electrical:

Dual 120/277 voltage. Unique bi-color LED indicator light alerts occupant on battery condition (Green-Normal, Red-Check Battery). Charge rate/power "ON" LED indicator light and magnetic test switch for mandated code compliance testing. 6V/12V maintenance-free, rechargeable NiCd battery (12W, 15W models). 6V/12V maintenance-free, rechargeable sealed lead acid battery (28W model). Offers 4.8W, 7.8W, 20.8W of remote capacity (6V/12V DC output) standard on the 12W, 15W and 28W models. Internal solid-state transfer switch automatically connects the internal battery to LED board and lamp heads for minimum 90-minute emergency illumination. Fully automatic solid-state, two-rate charger initiates battery charging to recharge a discharged battery in 24 hours.

Warranty:

Five year warranty on all electronics and housing. Batteries prorated for two (lead acid) / five (NiCd) years.

Dimensions



Order Information Example:

NEZXSC1R615B

Model	No. of Faces	Letter Color	Voltage	Wattage	Housing Color	Options
NEZXSC=All LED NEMA4X/NSF Exit & Emergency Combo	1=Single Face ¹ 2=Double Face ²	R=Red G=Green	6=6 Volts 12=12 Volts	12=12 Watts 15=15 Watts 28=28 Watts	W=White B=Black	SDT=Self-Diagnostics CW=Cold Weather ³ TP=Tamper Proof NH=No Heads

NOTES: 1. Available only in 15W & 28W models.
2. Available only in 12W models.

3. Available only in 12W & 15W models.

Project Information:

Project Name: _____ Fixture Type: _____
 Complete Catalog #: _____ Date: _____
 Comments: _____

Certification & Listings:



Specifications subject to change without notice. Rev. 101322