

AIBREBASE Bollard Retrofit Base

GET YOUR BOLLARD RETROFIT BASE KIT TODAY!



Shown on AIB4



Bollard Trouble?



Need an upgrade?



Need it to be simple?

SPECIFICATION AND FEATURES

- Heavy-duty die cast aluminum with durable powdercoat finish
- Includes two leveling bubbles and four Stainless Steel leveling bolts
- Fits most existing bolt circles from 3.5" to 5", also accommodates field installed drilled anchors
- Available in Bronze, Black and custom colors



(Base Plate)



(Cover with
Bollard Anchorage)

AIBREBASE Advantages:

- Install new bollards to most existing bolt patterns
- No need to remove existing bolts
- Provides a clean finished appearance
- Hides ugly remnants of previous installation
- Fits most 3-bolt or 4-bolt patterns
- Fits all round and square Atlantic bollards

How can you not have this?!

Atlantic
INDUSTRIAL®

A QSSI Company Since 1985

12802 Commodity Place, Tampa, FL 33626 • Phone: 813-664-9700 www.atlanticind.net

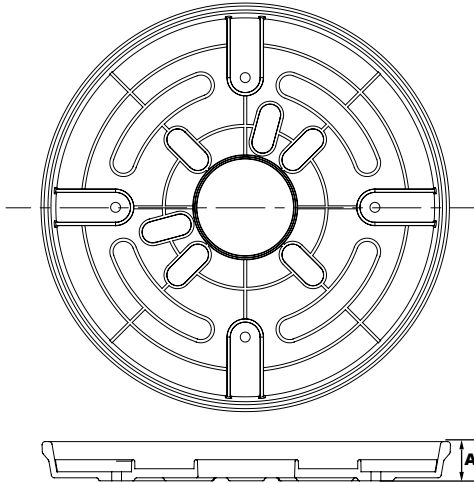


ATLANTIC Solutions
By Atlantic Industrial

AIBREBASE Bollard Retrofit Base

GET YOUR BOLLARD RETROFIT BASE KIT TODAY!

Anchor Bolt Retrofit Adapter Plate



Dimensions

Diameter (D)	10 3/4" (271mm)
Height (A)	1" (26mm)

Bollard Retrofit Base Kit includes:

Heavy duty die cast aluminum Anchor Bolt Retrofit Adaptor Plate

- Includes slots for existing anchor bolt mounting, 3@120°, 4@90° or 2@ 180° (3.5" to 5" diameter bolt circle). Slots can accommodate 1/4" to 3/8" diameter anchor bolts.
- Includes large diameter slots for installing field drilled anchors (not included) in the event that the existing anchor bolt pattern does not fit slots, or anchor bolts are damaged or unusable.
- Includes 4 Stainless Steel leveling bolts with two leveling bubbles at 90° to level base prior to mounting new bollard.
- Center conduit entrance hole designed to accommodate two 3/4" PVC conduits.

Heavy duty die cast aluminum Bollard Mounting Cover Plate

- Includes threaded holes in patterns to match all round and square Atlantic bollard base mounting plates.
- Stainless Steel bolts for mounting bollard base plate.
- 4 Stainless Steel set screws at 90° for securing the cover plate to the adaptor plate. Cover plate can be rotated 360°.

Powdercoat finish over chromate conversion coating in Black or Bronze standard to match Atlantic Bollards.

Bollard Mounting Cover Plate

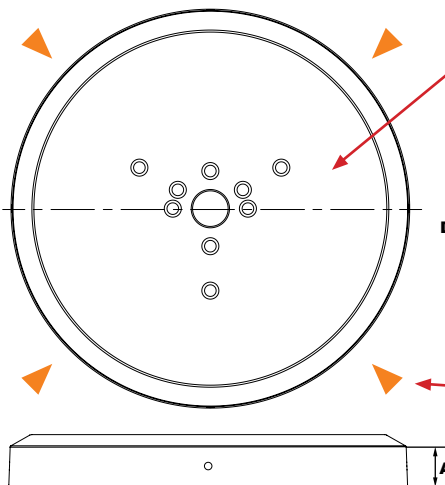


Plate has threaded holes in patterns for each Atlantic bollard size. Mounting bolts are included. Bollard base mounts to plate.

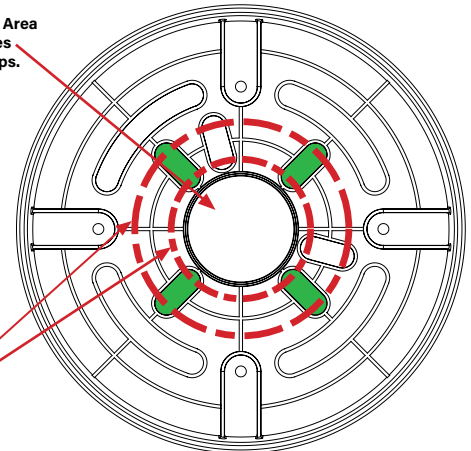
Dimensions

Diameter (D)	11 1/2" (292mm)
Height (A)	1 1/2" (38mm)

Plate includes 4 set screws on sides at 90 degrees for locking base cover to mounting plate. Fully rotatable.

Anchor Bolt Retrofit Adapter Plate Bolt Circles for use with existing anchor bolts.

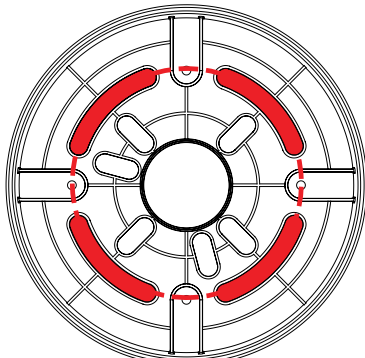
Conduit Entrance Area Accommodates Two 3/4" Stub-Ups.



Fits bolt circles from 3.5" to 5"

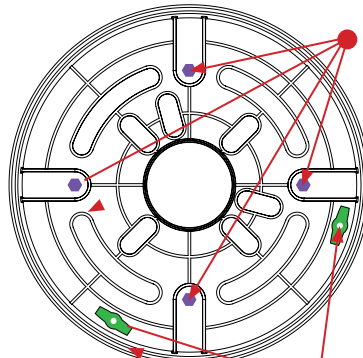
For use with 4 bolts @ 90° or 2 bolts @ 180°

Anchor Bolt Retrofit Adapter Plate allows for mounting with field installed drilled anchors



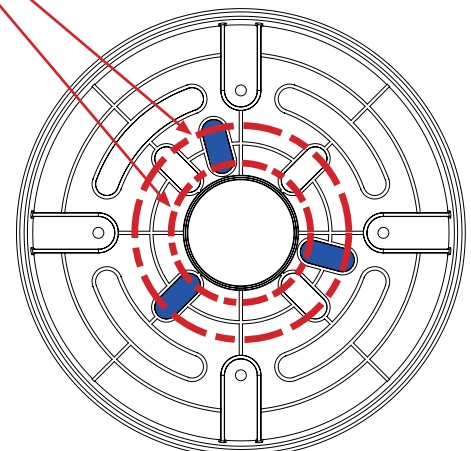
6.5" bolt circle for Drilled Anchors. Used when existing anchor bolts do not fit 4-bolt or 3-bolt slots or are damaged. These must be cut off and new drilled anchors installed.

Anchor Bolt Retrofit Adapter Plate Includes 4 leveling bolts and levels



4 Leveling Bolts

Leveling Bubbles



For use with 3 bolts @ 120°

Atlantic
INDUSTRIAL®
A QSSI Company Since 1985

12802 Commodity Place, Tampa, FL 33626 • Phone: 813-664-9700 www.atlanticind.net

Specifications subject to change without notice. Rev. 042221